

**PERFECTION IN A BOX**



MADE IN ITALY

**2020**

Cantoni has been working for years to raise the profile of make-up artist, studying their needs in the workplace and developing the most effective tools to support their artistic talent and technical skills.

#### **OUR CONCEPT**

We believe that to be recognized as talents in the world of beauty it is essential to enter the market in the proper way, enhancing our professionalism taking care of our image.

#### **OUR MISSION**

Our main objective is to give fashion, make-up and beauty professionals a range of indispensable and technologically advanced products, produced with great attention to detail and capable of improving performance in all types of working conditions.

To achieve this goal, Cantoni has performed constant research since 1996 and now boasts the widest and most efficient range of illuminated mirrors and workstations in the world, as well as the patent for the exclusive **I-light** lighting system.

The products are designed not only for professional make-up artists, but also those who simply have a passion for make-up and colour.

## HOW A CANTONI PRODUCT IS CREATED

The first steps towards bringing the original idea to life are taken by Cantoni's technical office.

Working from a paper sketch to start with, the design is given a three-dimensional aspect using CAD 3D design, which fine tunes the functional details of the product. The design then passes through the hands of expert Italian masters who work closely with Cantoni and are entrusted with the development of prototypes. The prototype is then delivered to Cantoni.

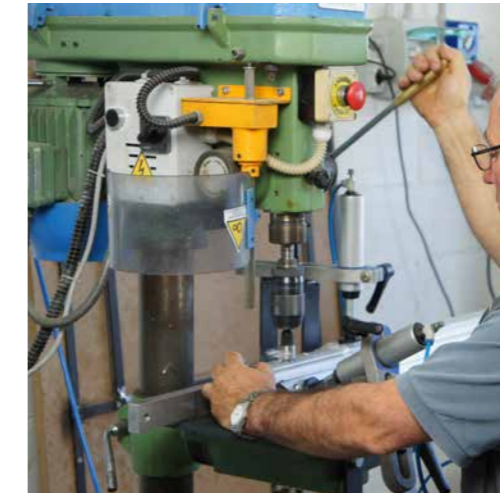
From now on, the prototype is subject to numerous and repeated tests by the various production departments: safety, stability, durability and appearance, every one of these aspects is assessed and refined, at times for years, before a version of the product is deemed ready to launch..

## UNIQUE PRODUCTS FROM A TO Z

Each product line by Cantoni follows a different manufacturing process, determined by the materials it consists of: wood products, aluminium products, wall mirrors and plastic products in fact are manufactured using very different methods by artisans with specific expertise. Our supplier network provides us with the highest quality semi-finished products we require and only when we receive an order by the customer the product actually enters production.

Each piece can be then created with attention to every detail by our experts and customized according to customer requirements: interior spaces, type of lighting, print and logo application.

The ideas, attention to detail and passion we put into our work are the features that makes the difference between a copy and the original: a Cantoni station is actually well recognizable thanks to details, that define both functionality and design.



*TOP QUALITY MANUFACTURING.  
Cantoni's products are the result of a  
perfect balance between italian handcrafting  
and a cutting-edge technology*

*EXCLUSIVE PRODUCTS  
A Cantoni's product is known by details,  
which define its originality, aesthetic,  
functionality and design*

The **I-light**, EU patent certified by Cantoni, is the only lighting technology specifically designed for beauty professionals: the system is characterized by a neutral light emission, with no shadow areas, that does not alter the colours. We have studied every single detail: from the distance between the light points, up to the uniformity of the emission, paying special attention to the gradation of colour, set to 4200 Kelvin degrees; we have identified the materials and the ideal solutions to ensure a long service life, low power consumption and total safety.

The light sources do not generate heat and they do not need to be removed or cooled down.

The **I-light** system, like every real design technology, is as functional as it is intuitive to use: with only one switch the lighting system can be turned ON and OFF and it will be possible to adjust and store the brightness.

All of our workstations are equipped with the I-light system, guaranteeing a perfect lighting in any working condition.



### **DON'T CALL THEM JUST "BULBS"**

*I-light light points consist of professional Opalt-tech lenses with a high degree of light refraction which is spread evenly and with perfect colour rendering of the light generated by the LED technology.*



**DIMMER BUTTON**  
*Variation in brightness  
just hold down the power button  
until the ideal brightness is reached*



**UNIVERSAL POWER SOCKET**  
*standard EU-USA*



**POWER CABLE**  
*supplied with Schuko socket*



### I-LIGHT TECHNOLOGY (patented)

The light lenses, set directly into the reflective surface, cut with high-precision instruments, diffuse light generated by I-Light technology incorporated into the structure of the mirror.



4200K



Light adjustment



No bulbs required



Input 110-240 V



Low energy consumption



CE conformity



NO blue light

### TECHNICAL SPECIFICATIONS (6 light points)

Voltage: 110-240 Vac, 50/60Hz

Power : 25W MAX

Current: 106 mA MAX

Power factory:  $\cos\phi = 0,95$

The light source contained in this equipment may only be replaced by the manufacturer , its service department or equivalent qualified personnel.

Device for indoor use only , IP20

The device is designed to operate within a temperature range of 0-40°C (Ta)

### LED CHARACTERISTICS:

- Brand of origin: CANTONI TRADING SRL
- Model: module Led
- Power voltage and tension: 28.3 Vdc, 0.325A
- Total nominal power: 9.2 W
- Position and purpose of the connections: on the LED module
- tc: 55 ° C
- Photobiological hazard: none

### CE conformity declaration

Complies with the essential requirements of EU directives applicable to the product: Low Voltage Directive 2014/35/EU, Electromagnetic Compatibility Directive 2014/30/EU and ROHS Directive 2011/65/EU, when installed in compliance with these instructions.

## The only lighting technology engineered for professional makeup artists



### *I-light:*

- . *I-light Opaltech lighting lenses*
- . *High lluminous efficiency*
- . *Dimmable light intensity*
- . *Kelvin Gradation: 4200°*
- . *Guaranteed lenses duration 100.000/h*
- . *110-240V compatible*
- . *Low electrical consumption*
- . *Photo biological risk free*
- . *CE certification*

# MAKE-UP CASES

The make-up cases by Cantoni are available in 3 range types;

**EVO** pro alternatives: mobile stations unique for line and versatility.

**VT** pro: robust line of mobile stations, designed for those who love space and efficiency.

**VP** compact: line of compact stations, born to travel.



**EVO LINE**



**VT AND  
VP LINE**

## MOBILE STATIONS UNIQUE FOR LINE AND VERSATILITY

The New Evo line is the result of a redesign of the Evolution model, renown best-seller of Cantoni Evolution case.

Light and handy, this line of mobile make-up stations is characterized, on the outside, by the aluminium profile with rounded corners and, inside, by a remarkable capacity.

Extremely versatile because compact, durable, easy to carry, is the perfect solution for those who travel often, even on foot. It guarantees a professional image at the highest level.



*TRANSPARENT RUBBER WHEELS  
with ball bearings*



*TELESCOPIC TROLLEY  
with spring lock button  
REINFORCED STRAP HANDLES*



*REINFORCED CHROME HINGES*



*SLIDING TRAYS  
KEY LOCKS*



ANODIZED ALUMINIUM PROFILE  
ABS STRUCTURE  
Convex design Cover



THERMOFORMED INTERIOR  
Magnetic lock sliding trays with  
aluminium guides. Large interior



HOLDING FACE-CHART STAND  
Universal power socket  
110-240V



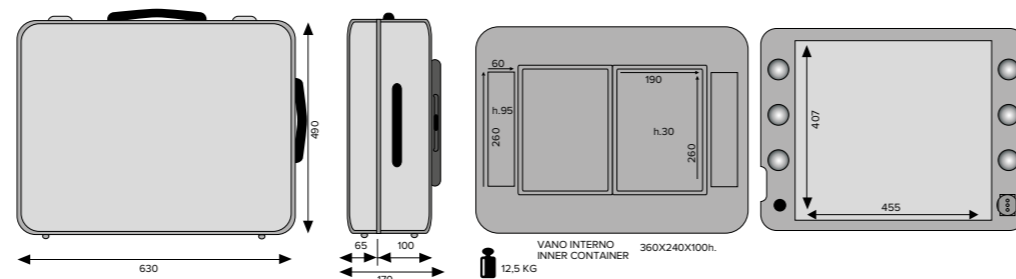
CANTONI I-LIGHT LIGHTING  
SYSTEM with dimmer button to  
adjust the brightness



- ◆ **Compact** to carry
- ◆ **Resistant:** thanks to the aluminium band and to rounded corners
- ◆ **Unmistakable:** an original and innovative design, indisputably by Cantoni
- ◆ **Fast:** 30° opening system for a fast set up without assembling
- ◆ **Large:** many internal compartments of various sizes.
- ◆ **Customized** with logo or picture

**Technical Details**

Working table 860mm high with maximum extension of the telescopic legs  
Working table 920mm high with Rolling System

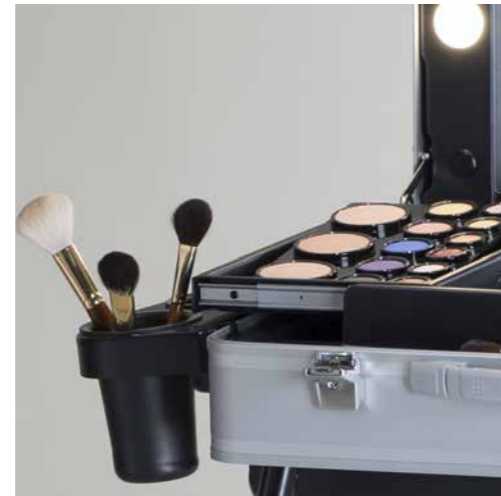






#### HOLDING PROJECTS STAND

Comfortable and stable support for make-up projects, it fits into the hooks on the side of the case. Made of lightweight and durable aluminium.



#### HOOKING HAIRDRYER/BRUSHES HOLDER

It can be hooked to any side of the case. In ABS, it does not deform with the heat of the hair-dryer. 2 brushes holding glasses included



#### X4 +SX4

WHEEL SYSTEM FOR MAKE-UP CASE  
Strong wheels with lock to apply to the legs of the make-up case. Folding, it can be stored in the suitable carrying bag.



#### X4 +SX4: HOW TO USE IT

The Rolling System is a useful accessory that allows to easily move the make-up case once opened.



#### COVER: TO PROTECT THE CASE

The protective cover for the New-Evo make-up case is made of padded and waterproof fabric. The handles and wheels are not covered and the surface is protected against scratches and bumps.



#### DIGITAL SUPPORT FOR STAND

This locking system allows to securely fit on the projects stand both digital frames and tablets

## LINE OF STRONG MOBILE STATIONS, DESIGNED FOR SPACE AND EFFICIENCY LOVERS

Both VT and VP lines mobile stations for hair and make-up stand out for their “flight case” style. Wide range of models of different sizes and with different interior equipments, to offer targeted solutions for different requirements and have everything in order and handy. The structure is lightweight, sturdy and compact, with ABS frames resistant to scratches and wear. Quick and easy opening and closing system, thanks to the built-in telescopic legs. Details with engraved Cantoni logo.

## VT AND VP LINES



*RUBBER WHEELS  
with ball bearings*



*TELESCOPIC TROLLEY  
with spring lock button  
REINFORCED STRAP HANDLES*



*ANODISED ALUMINIUM PROFILES  
CHROME ACCESSORIES  
KEY LOCK*



*PRE SET-UP SYSTEM  
with standard locking system for  
the face-chart holding project*



Trolley with square section telescopic handle. Retractable handle with locking button.



Heat-resistant aluminium flaps, embossed black paint finish, magnetic closure.



HOLDING FACE-CHART STAND Universal power socket 110-240V



CANTONI I-LIGHT LIGHTING SYSTEM with dimmer button to adjust the brightness



Easy to carry, the VT101C make-up case with lights, large and solid, is the most classic and sold by Cantoni. Perfect both in beauty salon and in motion.

**Technical Details**

Working table 940 mm high with maximum extension of the telescopic legs

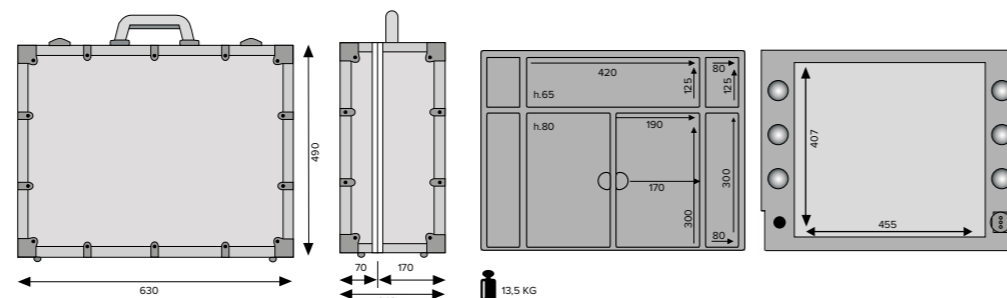
◆ **Heat-resistant:** the possibility to put hair straightener and hair-dryer makes it perfect for hair-styling.

◆ **Fast:** 30' opening system for a fast set-up without assembly

◆ **Spacious:** well compartmentalised and large

◆ **Adaptable:** the interior compartments can be designed to meet specific needs

◆ **Customizable:** logos and images printable on both cover and mirror





Trolley with square section telescopic handle. Retractable handle with locking button.



Large central compartment, sliding trays with aluminium guides, magnetic closure



HOLDING FACE-CHART STAND Universal power socket 110-240V



CANTONI I-LIGHT LIGHTING SYSTEM with dimmer button to adjust the brightness

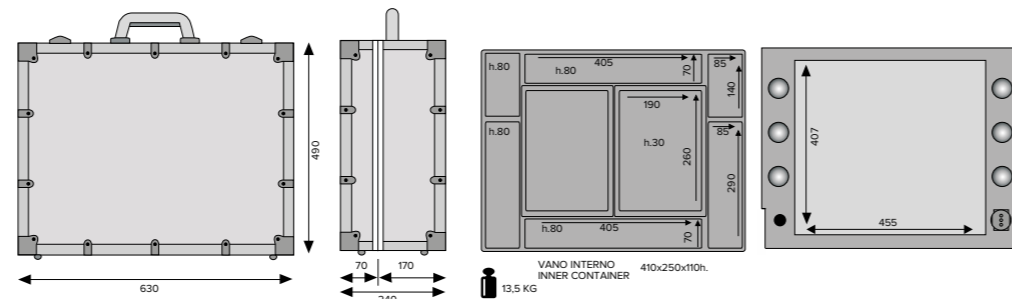


The VT101C-TR station is the make-up case that combines ideal capacity, comfortable work spaces and transportability.

- ◆ **Wide:** the large sliding trays offer large work spaces
- ◆ **Large:** deep central container and numerous internal compartments
- ◆ **Fast:** 30' opening system for a fast set-up without assembly
- ◆ **Adaptable:** the interior compartments can be designed to meet specific needs
- ◆ **Customizable:** logos and images printable on both cover and mirror

**Technical Details**

Working table 940 mm high with maximum extension of the telescopic legs





Built-in trolley with square section telescopic handle. Handle with lock button.

Removable trays that can be positioned on the sides of the case with suitable hooks. Removable partitions inside the container

HOLDING FACE-CHART STAND  
Universal power socket  
110-240V

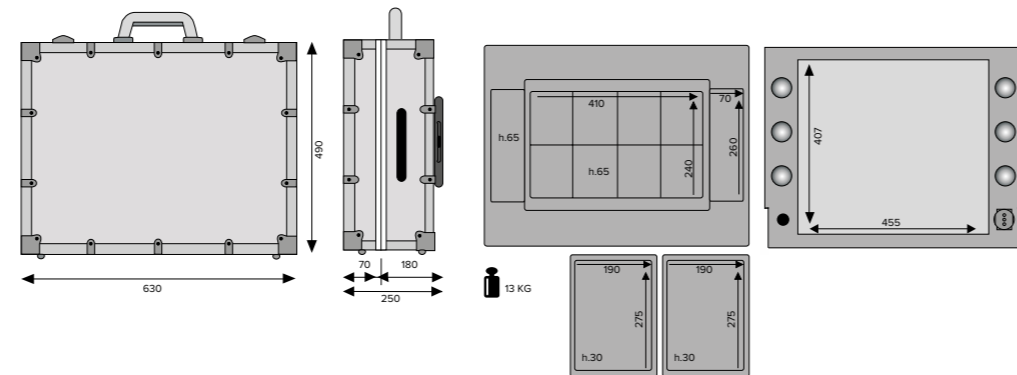
CANTONI I-LIGHT LIGHTING SYSTEM with dimmer button to adjust the brightness

The VT-BE mobile make-up case is the one for professionals, the one designed to travel: it is characterized by the ultra thin line the versatile interior compartments.

- ◆ **Lightweight:** practical to carry, among the lightest in the Cantoni range on the market
- ◆ **Slim:** nicely slender and compact line
- ◆ **Large:** offering great support and work spaces
- ◆ **Fast:** 30' opening system for a fast set-up without assembly
- ◆ **Customizable:** logos and images printable on both cover and mirror

**Technical Details**

Working table 880 mm high with maximum extension of the telescopic legs





Built-in trolley with square section telescopic handle. Handle with lock button.



Sliding top tray with aluminium guides and deep main compartment, side drawer with magnetic closure.



HOLDING FACE-CHART STAND  
Universal power socket  
110-240V



CANTONI I-LIGHT LIGHTING SYSTEM with dimmer button to adjust the brightness

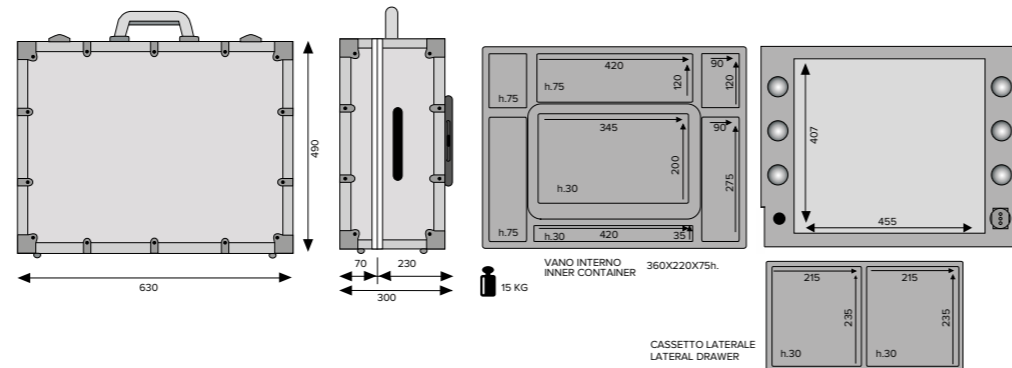


The VT103 make-up case is the model chosen by most popular make-up artists, who appreciate its capacity and the many workspaces.

- ◆ **Large:** Side retractable drawer with magnetic closure, deep main compartment
- ◆ **Convenient:** the practical sliding top tray offers a large working area
- ◆ **Fast:** 30' opening system for a fast set-up without assembly
- ◆ **Customizable:** logos and images printable on both cover and mirror
- ◆ **Customizable:** Only upon request: tis model is produced only for orders with a min. number of pieces.

**Technical Details**

Working table 940 mm high with maximum extension of the telescopic legs





Built-in trolley with square section telescopic handle. Handle with lock button.



Removable trays that can be positioned on the sides of the case with suitable hooks. Removable partitions inside the container



HOLDING FACE-CHART STAND  
Universal power socket  
110-240V



CANTONI I-LIGHT LIGHTING SYSTEM with dimmer button to adjust the brightness

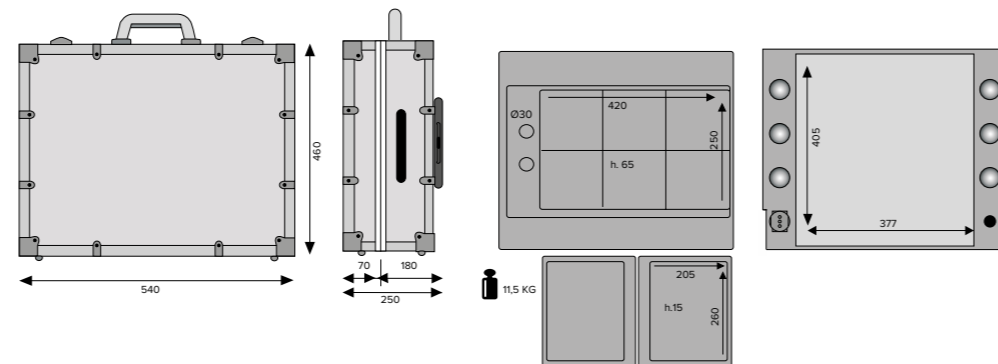


The lighted make-up case with VPET trolley is the optimal solution for make-up artists and hairstylists who need a handy work stations suitable for the most different situations.

- ◆ **Light:** the lightest on the market
- ◆ **Compact:** compact size
- ◆ **Fast:** 30' opening system for a fast set-up without assembly
- ◆ **Versatile:** suitable for make-up, hairstyling and aesthetics
- ◆ **Smart:** interior with removable partitions and brush holders
- ◆ **Customizable:** logos and images printable on both cover and mirror

**Technical Details**

Working table 880 mm high with maximum extension of the telescopic legs





Cantoni knows how to make both internally and externally customized makeup stations that meet the needs of the market, thanks to the extensive experience it has acquired over the years.

### MONOCHROMATIC EXTERIOR

The exterior surface of the case can bear the **colour** that distinguishes the identity of each brand.

The colour folder can be furnished for a minimum of 16 pcs.



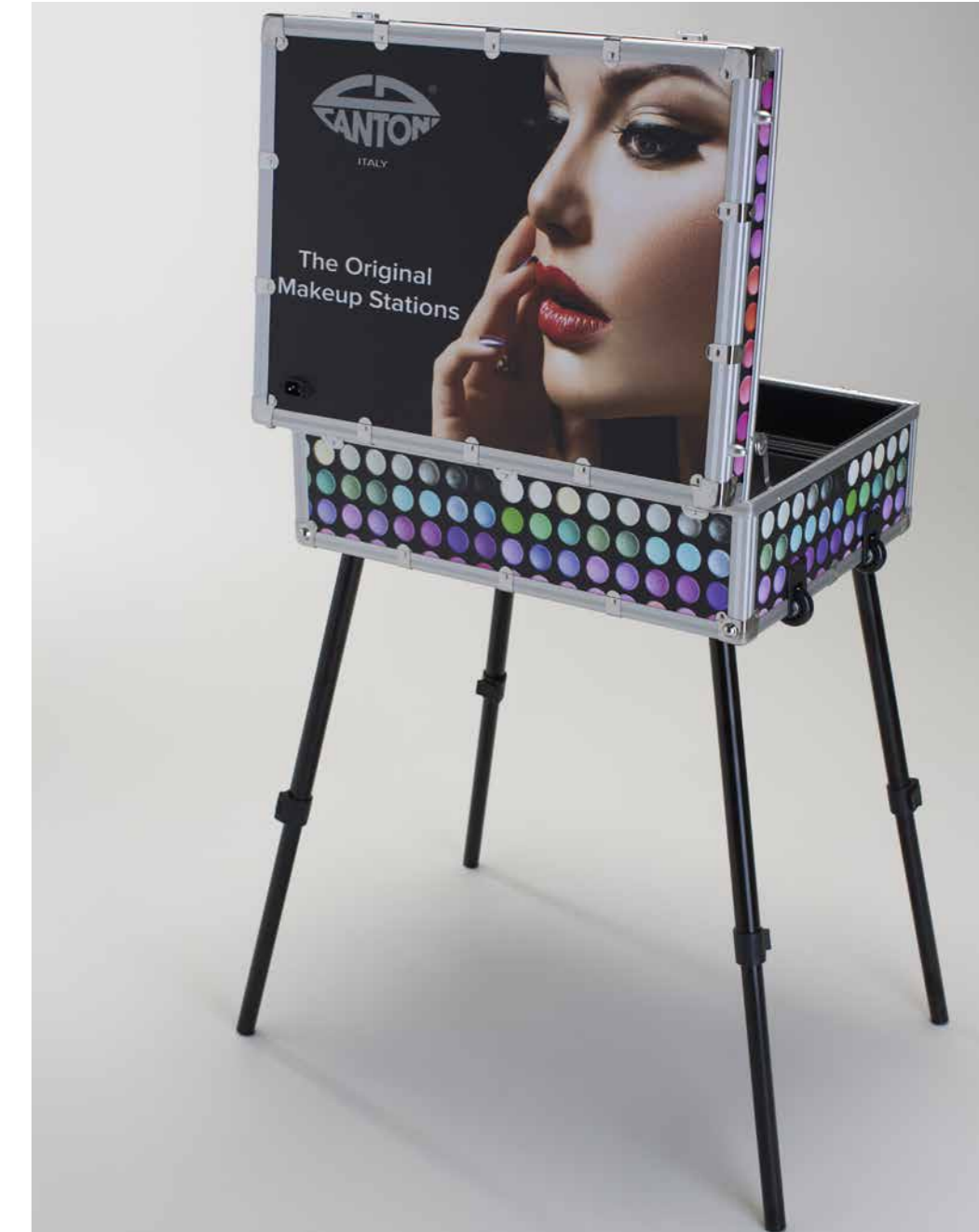
### COLOUR SCREEN PRINTING

The full VT and VP range can be **colour screen printed** in very high resolution.

The Cantoni design dept. develops the customised graphic project from **the customer's images**

Exclusive and immediately recognisable make-up stations are the result.

The service is available for orders of 16 pcs min.







**HOLDING PROJECTS STAND**  
 Comfortable and stable support for make-up projects, it fits into the hooks on the side of the case. Made of lightweight and durable aluminium.

**X4 +SX4**  
**WHEEL SYSTEM FOR MAKE-UP CASE**  
 Strong wheels with lock to apply to the legs of the make-up case. Folding, it can be stored in the suitable carrying bag.

**X4 +SX4: HOW TO USE IT**  
 The Rolling System is a useful accessory that allows to easily move the make-up case once opened.

**COVER: TO PROTECT THE CASE**  
 The protective cover for the VT and VP make-up cases are made of padded and waterproof technical fabric. The handles and wheels are not covered and the surface is protected against scratches and bumps.



**HOOKING HAIRDRYER/BRUSHES HOLDER**  
 It can be hooked to any side of the case. In ABS, it does not deform with the heat of the hair-dryer. 2 brushes holding glasses included

**DIGITAL SUPPORT FOR STAND**  
 This locking system allows to securely fit on the projects stand both digital frames and tablets



Built-in trolley with square section telescopic handle. Handle with lock button.

Rubber wheels with ball bearings

Two sturdy drawers with aluminium guides and magnetic closure

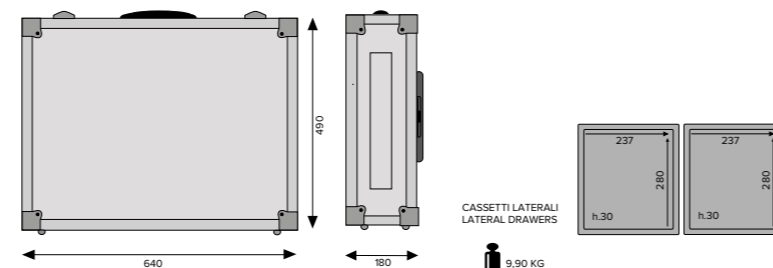
Mobile workstation with trolley for nail reconstruction at home.

Product designed for nail technicians who work at customer's home, on set and in the most different situations: it is a compact case with trolley, which, once opened, becomes a convenient nail-art station.

It can also be used as a service table to be combined with a mobile make-up station.

Adjustable tabletop height

**Technical Details**





*Two sliding drawers to extend the support surface for materials without cluttering the workspace*



*Universal hooking system for nail reconstruction lamps*



**X4 +SX4**  
WHEEL SYSTEM FOR  
MAKE-UP CASE  
System of strong wheels with lock  
to apply to the legs of the make-up  
case. Folding, it can be stored in  
the suitable carrying bag.



**X4 +SX4: HOW TO USE IT**  
The Rolling System is a useful accessory that allows to easily move the make-up case once opened.



**COVER: TO PROTECT THE CASE**  
The protective cover for the VT.NAILS is made of padded and waterproof technical fabric.  
The handles and wheels are not covered and the surface is protected against scratches and bumps.

- ◆ **Agile:** educed weight and dimensions
- ◆ **Solvent resistant:** plastic laminated top
- ◆ **Easy-to-carry:** lightweight and equipped with protective cover
- ◆ **Fast:** 30' opening system for a fast set-up without assembly
- ◆ **Adjustable** in height
- ◆ **Customizable:** printable logo on the side of the case

## LINE OF WHEELED MAKE-UP STATIONS WITH LIGHTS

The **mobile make-up stations** by Cantoni, L200 and L400 stations are designed to dynamically manage the areas dedicated to make-up and hair styling. Designed to meet the needs of **make-up schools**, they are an optimal solution also for decorating in an elegant way, professional and convenient way, a beauty corner in any kind of point of sale.

**Hand crafted** by skilled **Italian carpenters**, they are made of **dried beech** and hand lacquered with non-toxic paints. In addition to the standard black, with minimum quantities, it is possible to order wheeled workstations in other colours.

I-Light dimmer, the **exclusive lighting system for the make-up** patented by Cantoni, it is fitted as standard on these mobile stations..

## L200 AND L400 LINES



*LARGE TILTING MIRROR  
adjustable in height with 6 I-LIGHT  
LIGHTING points by CANTONI*



*FOUR STURDY WHEELS  
Pivoting with brake*



*BRUSH-HOLDING GLASS  
removable and washable*



*PROJECTS HOLDING STAND  
Removable made of aluminium*





Convenient top with front drawer



Dressing table



Large mirror with lights embedded **I-light**



Dimmer button for adjusting light brightness



KNOB to lock mirror tilting angle and height



L200X2-FO DOUBLE MIRROR VERSION

The version with panoramic mirror illuminated on both sides is ideal for make-up schools: up to 4 students can work simultaneously on a single station.

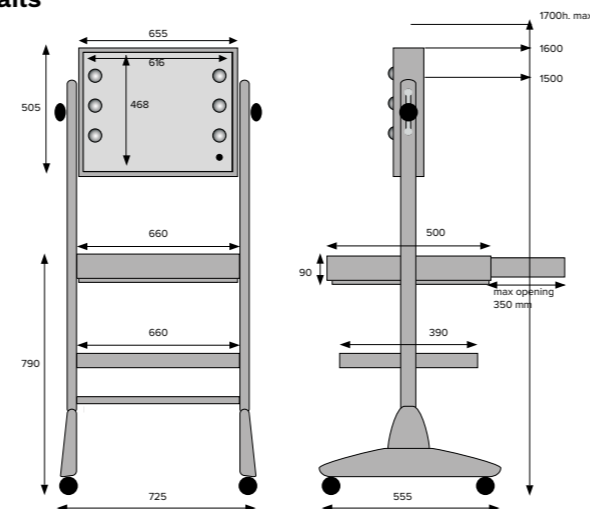
Drawer openable in both directions.



The L200 wheeled make-up station with panoramic mirror, 6 I-light lamps embedded flush with the mirror, is the ideal solution to furnish make-up corners in shops and stores. The version with double mirror (front and back) is ideal for make-up academies.

- ◆ **Sturdy:** top quality materials and workmanship guarantee long service life. 100% Made in Italy
- ◆ **Large:** large main drawer, lower storage shelf and table top offer large and convenient spaces
- ◆ **Professional:** I-light lighting system specific for face care, with low power consumption and adjustable brightness
- ◆ It can be **combined** with the **LC** trolley and the **Chair line by Cantoni**

Technical Details





Convenient top with front drawer



Dressing table



I-light lights Dimmer button for adjusting light brightness



110-240V universal power socket



KNOB to lock mirror tilting angle and height



L200X2-FO DOUBLE MIRROR VERSION

The version with lighted mirror on both sides is ideal for make-up schools: up to 4 students can work simultaneously on a single station.

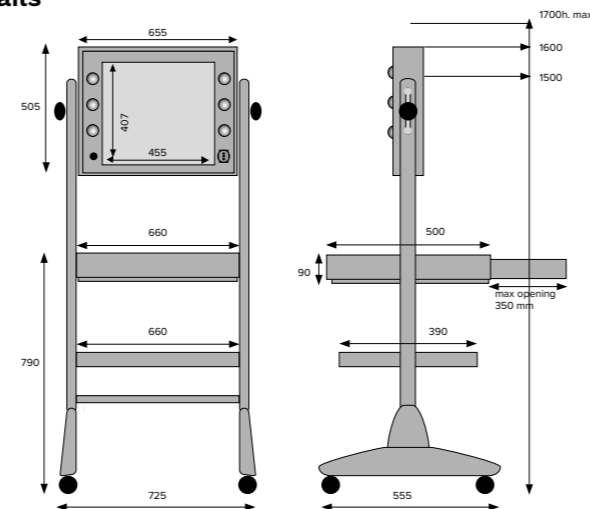
Drawer openable in both directions



The L200 wheeled make-up station, with 6 I-light lamps and framed universal power socket is the ideal solution for shops and stores, in the version with double mirror (front and back) is ideal for make-up academies.

- ◆ **Sturdy:** top quality materials and workmanship guarantee long service life. 100% Made in Italy
- ◆ **Large:** large main drawer, lower storage shelf and table top offer large and convenient spaces
- ◆ **Professional:** I-light lighting system specific for face care, with low power consumption and adjustable brightness
- ◆ It can be **combined** with the **LC** trolley and the **Chair line by Cantoni**

**Technical Details**





Top with 4 convenient drawers openable by the side



Dressing table



Large mirror with lights embedded **I-light**



Dimmer button for adjusting light brightness



KNOB to lock mirror tilting angle and height



L400X2-FO DOUBLE MIRROR VERSION

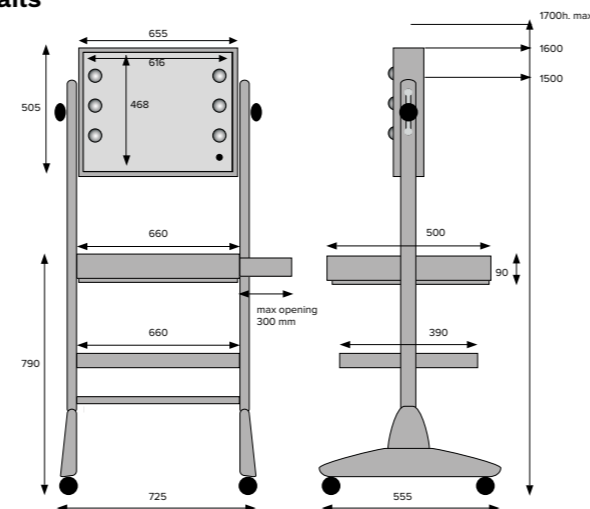
The version with panoramic lighted mirror on both sides is ideal for make-up schools: up to 4 students can work simultaneously on a single station.



The L400 Full Mirror wheeled make-up station is equipped with 4 large side drawers, 6 I-light lamps embedded in the mirror. It is an excellent solution for furnishing make-up corners in shops and stores. The version with double mirror (front and back) is ideal for make-up academies.

- ◆ **Sturdy:** top quality materials and workmanship guarantee long service life. 100% Made in Italy
- ◆ **Large:** the 4 drawers can be opened by the side, bottom storage shelf and top table offer large and convenient spaces
- ◆ **Professional:** I-light lighting system specific for face care, with low power consumption and adjustable brightness
- ◆ It can be **combined** with the **LC** trolley and the **Chair line by Cantoni**

**Technical Details**





Top with 4 convenient drawers openable by the side



Dressing table



I-light lights Dimmer button for adjusting light brightness



110-240V universal power socket



KNOB to lock mirror tilting angle and height



L400X2-FO DOUBLE MIRROR VERSION

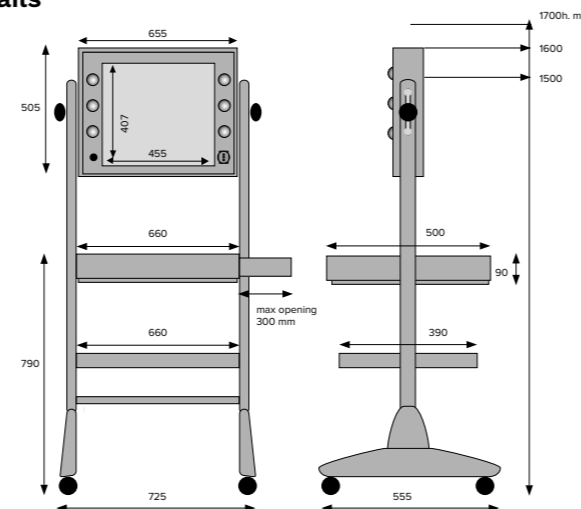
The version with lighted mirror on both sides is ideal for make-up schools: up to 4 students can work simultaneously on a single station.



The L400 wheeled make-up station combines space, image and professionalism. It features 6 framed I-light lamps and universal power socket. Ideal solution for shops and stores. The version with double mirror (front and back) is ideal for make-up and hair-styling academies.

- ◆ **Sturdy:** top quality materials and workmanship guarantee long service life. 100% Made in Italy
- ◆ **Large:** the 4 drawers can be opened by the side, bottom storage shelf and top table offer large and convenient spaces
- ◆ **Professional:** I-light lighting system specific for face care, with low power consumption and adjustable brightness
- ◆ It can be **combined** with the **LC** trolley and the **Chair line by Cantoni**

Technical Details







Trolley available in black, white, silver and fuchsia  
Other colours on request for minimum quantities

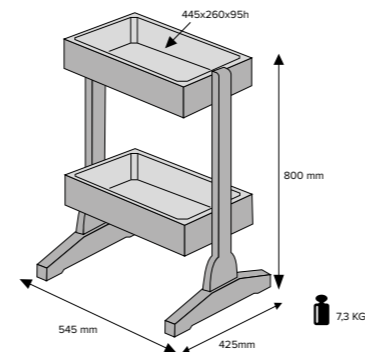
The LC wheeled service trolley, practical accessory for any make-up and aesthetic treatment station, is the ideal and coordinated complement of **L200 ed L400 stations**.  
Even the LC trolley made of dried and lacquered beech wood, 100% Italian craftsmanship.

◆ **Convenient:** to get the working tools in order and ready to share with colleagues

◆ **Agile:** on 4 pivoting wheels, it can be moved with a finger

◆ **Large:** 2 shelves with removable and washable thermoformed containers. Removable partitions.

#### Technical Details



It can be combined with wheeled stations and chairs by Cantoni's line.



## MAKE-UP CORNER LINE

Complete make-up stations by Cantoni, characterized by simple line and materials of the highest quality create functional and magnetic make-up corners. They are designed to offer turnkey solutions in situations requiring to set up a professional area, dedicated to beauty treatments, in an easy and impeccable way.

Soft and enveloping light emitted by the mirror mounted I-light points makes unforgettable these lighted make-up stations.

Possibility of customizing corners with minimum order quantities

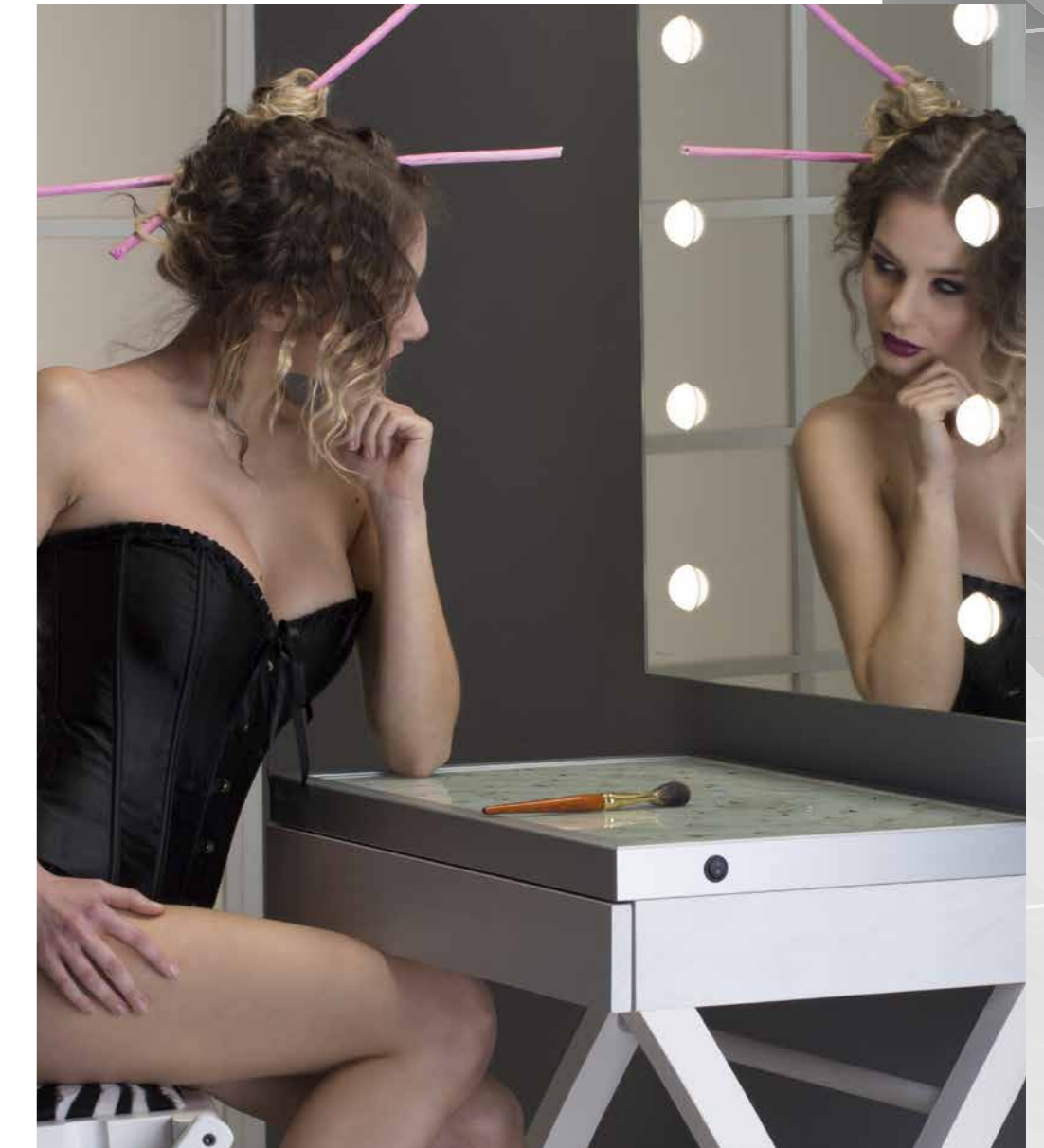
## FIXED MAKE-UP STATIONS



TABLE IN WHITENED ASH WITH TWO FRONT DRAWERS



TABLE IN WHITENED ASH WITH FRONT DRAWER





Made of white stained ash wood, with front drawer

White stained ash wood console table with front drawer with rear block.

Result of craftsmanship and exclusively manufactured upon request with timber whose origin is certified, L.MILK creates an amazing make-up station in combination with illuminated make-up mirrors of the MDE line and make-up chairs by Cantoni.



In combination with the **MDE505** mirror with 12 I-light lights and the **S105**, this console table is a complete beauty station, with a perfect light system.

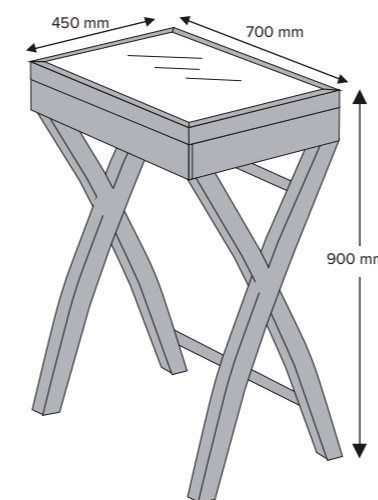
Functional design station is ideal for professional and commercial spaces.

Functional, elegant, comfortable and modern. Combination of high technology light and unique professional touches. Some of our remarkable details are anodized heated aluminum and fine craftsmanship wood.

Suitable for many insertions, as well as private areas and further in spaces for professional and commercial use: this station is safe, chair with anti-tipping footrest, CE certified mirror and is implemented with safety film.

#### Technical Details

internal dimensions of drawer:  
600x385x60h mm





White stained ash wood, two front drawers with guides, curved 60x8 mm metal support, painted chrome effect.

Console in WHITE ash wood with two front drawers.

The makeup console, available in white or black ash, is a table characterized by refined and simple line.

Made in Italy by expert craftsmen and produced only on demand with certified origin wood, CT.WHITE creates a stunning full makeup station with the lighted wall mirrors of the Unica or MDE ranges and the Cantoni makeup chairs.



In combination with the **MDE01** mirror with 12 I-light lights and the **S105**, this console table is a complete beauty station, with a perfect light system.

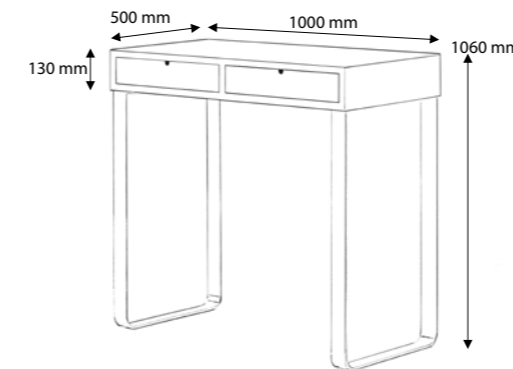
Functional design station is ideal for professional and commercial spaces.

Functional, elegant, comfortable and modern. Combination of high technology light and unique professional touches. Some of our remarkable details are anodized heated aluminum and fine craftsmanship wood.

Suitable for many insertions, as well as private areas and further in spaces for professional and commercial use: this station is safe, chair with anti-tipping footrest, CE certified mirror and is implemented with safety film.

#### Technical Details

internal dimensions of drawer:  
400x430x60h mm





*Black stained ash wood, two front drawers with guides, curved 60x8 mm metal support, painted chrome effect.*

Console in BLACK ash wood with two front drawers.

The makeup console, available in white or black ash, is a table characterized by refined and simple lines.

Made in Italy by expert craftsmen and produced only on demand with certified origin wood, CT.BLACK creates a stunning full makeup station with the lighted wall mirrors of the Unica or MDE ranges and the Cantoni makeup chairs.



In combination with the **MDE01 BLACK** mirror with 12 I-light lights and the **S105**, this console table is a complete beauty station, with a perfect light system.

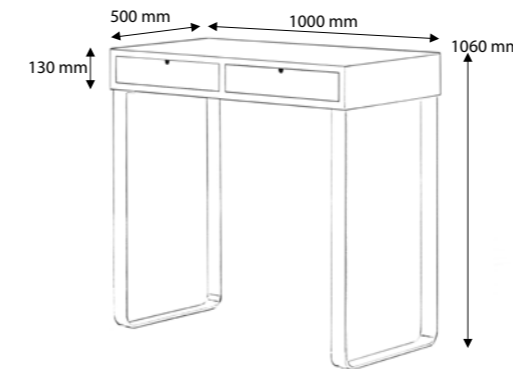
Functional design station is ideal for professional and commercial spaces.

Functional, elegant, comfortable and modern. Combination of high technology light and unique professional touches. Some of our remarkable details are anodized heated aluminum and fine craftsmanship wood.

Suitable for many insertions, as well as private areas and further in spaces for professional and commercial use: this station is safe, chair with anti-tipping footrest, CE certified mirror and is implemented with safety film.

#### Technical Details

internal dimensions of drawer:  
400x430x60h mm



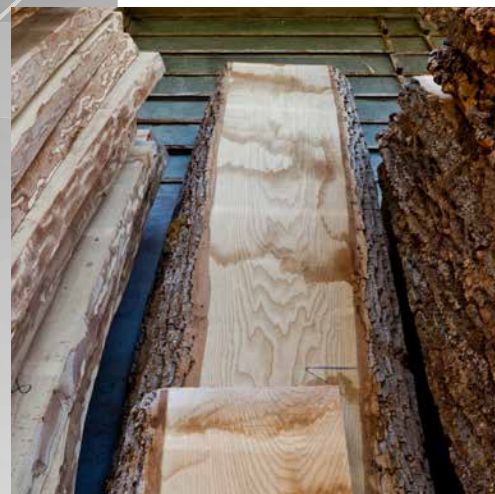
Designed to provide maximum comfort and functionality to beauty make-up artist professionals, the make-up chairs are elegant, functional and safe. From 1996 to date, the range has been enriched with different models and details have been refined to obtain high quality make-up chairs, which stand out for reliability, portability and durability.

To make the daily work of make-up-artist easier, more comfortable and safe, the materials are chosen with care, the structure and the accessories designed in every detail: reinforced support elements for the seat, footrest fast joint system for S102 models, anti-tipping structure (for models S104 and S105).

Each of the make-up chair by Cantoni can be supplied with removable headrest, an exclusive feature by Cantoni, reclining and adjustable in height, especially useful during long make-up sessions: the model or the customer will keep the head still, comfortable and in an ideal position to allow a perfect make-up. The chairs are transportable thanks to the suitable bag (either as trolley or a shoulder bag) and they can be customized printing the name or logo.

## MAKE-UP CHAIRS

### LINE OF CHAIRS for make-up and aesthetics





Armrests in stained ash.  
The seat and backrest are padded and upholstered with faux leather



Anti-tipping footrest



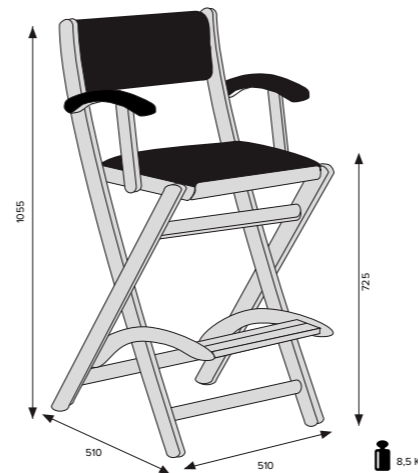
DETACHABLE HEADREST  
on request



S105 is an exclusive model by Cantoni: elegant design, high load capacity of the structure and comfortable seat, is technically innovative for its anti-tilting system, which makes it stable and safe. Seat and armrests colour customizable.

- ◆ **Anti-tipping** structure made of anodized 17/20 micron aluminium.
- ◆ 306 passivated stainless steel **finishes**.
- ◆ **Armrests** in dried ash with matching colour of seat and backrest.
- ◆ **Ergonomic** seat
- ◆ **Lightweight** and foldable
- ◆ **Customized** whit logo
- ◆ **Available accessories**

#### Technical Details



Folded chair  
dimensions:  
530x150x1280mm



*Black lacquered beech structure*



*Non-slip and anti-tilting footrest*



*Seat and backrest padded and covered with black faux leather*



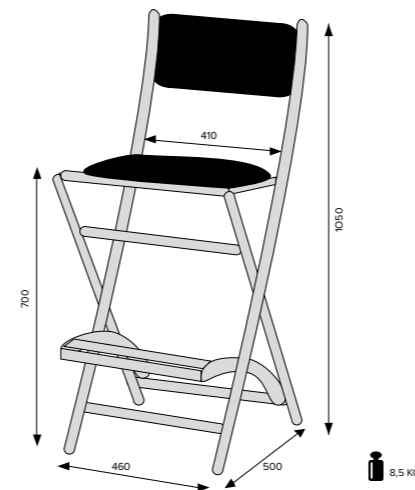
*DETACHABLE HEADREST on demand*



Innovative make-up chair created by Cantoni: characterized by the absence of the armrests, for ease of movement and make-up operations, it is hand-crafted in Italy. The original and elegant line makes it perfect as a piece of furniture.

- ◆ Dried beech **structure**
- ◆ **Anti-tipping**
- ◆ **Without armrests**
- ◆ **Upholstered** seat and backrest
- ◆ **Foldable** and easy-to-carry with suitable bag
- ◆ **Customized** whit logo
- ◆ **Available accessories**

#### Technical Details



Folded chair dimensions:  
520x150x1170mm

8,5 KG





Black lacquered beech structure,  
varnished steel finishes



COMFORTABLE FOOTREST with  
engraved Cantoni's logo



Adjustable to two heights



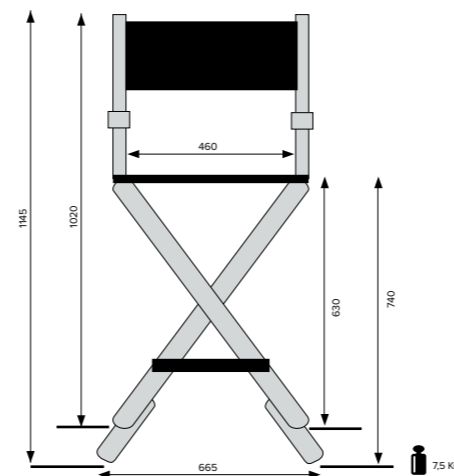
DETACHABLE HEADREST  
on request



Professional make-up and aesthetics chair result of Italian handicraft. Characterized by the possibility to be adjusted to different heights, to allow beauty artist to work always in a correct position, depending on his height and that of the customer.

- ◆ Dried lacquered beech **structure**, non-toxic paint
- ◆ **Foldable** and easy-to-carry with suitable bag
- ◆ **Seat and backrest** breathable and washable, wear resistant
- ◆ **Removable** backrest
- ◆ **Customized** whit logo
- ◆ **Available accessories**

#### Technical Details



Folded chair  
dimensions:  
650X150X950mm



Steel finishes



Black lacquered FOOTREST with anti-slip band and engraved Cantoni's logo



FOOTREST rear reinforcement



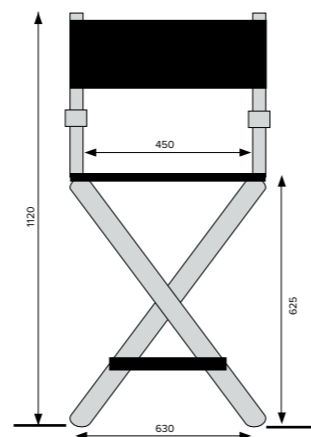
DETACHABLE HEADREST on request



Portable chair for professional make-up, produced in Italy.  
Characterized by very low weight which makes it easy to transport.

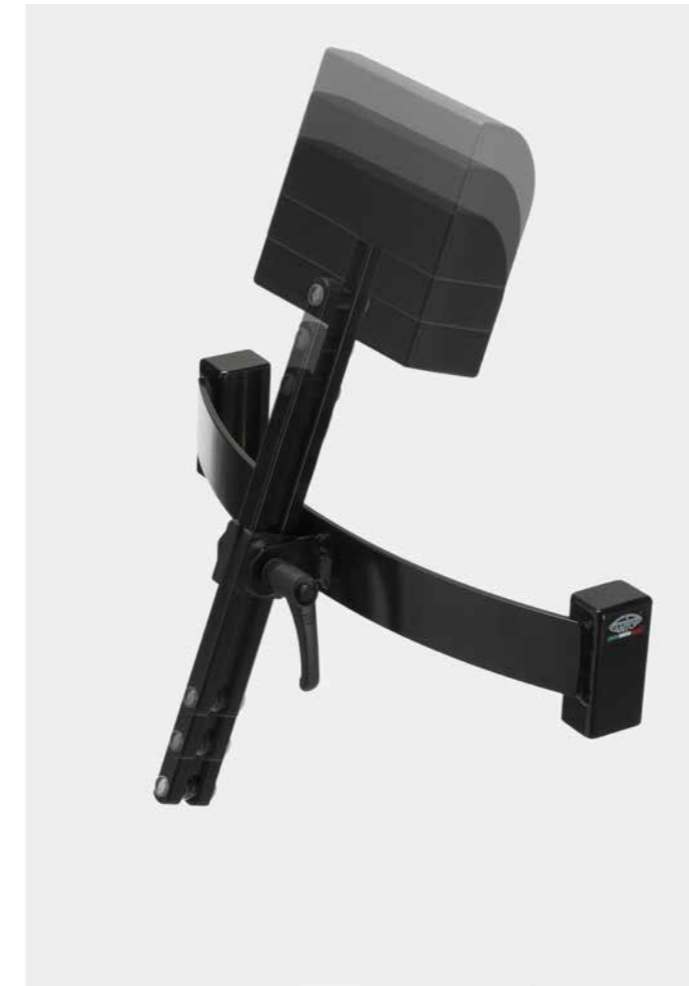
- ◆ **Anodized** aluminium frame to 17/20 microns
- ◆ 306 passivated stainless steel **finishes**.
- ◆ **Foldable** and easy-to-carry with suitable bag
- ◆ **Seat and backrest** breathable and washable, wear resistant
- ◆ **Removable** backrest
- ◆ **Customized** whit logo
- ◆ **Available accessories**

#### Technical Details



Folded chair  
dimensions:  
530X220X850mm

5 KG



**HR SYSTEM  
HEADREST FOR CHAIR**

The HR System headrest is patented and exclusive by Cantoni.

Ideal for long make-up sessions, it allows the customer to feel comfortable and to the make-up artist to have the face in an optimal position for make up. Adjustable in height and tilt. **Available for all models of make-up chairs by Cantoni.** Black painted aluminium structure.

**HR SYSTEM: HOW TO USE IT**

This accessory can be applied to the chair when required.

This ergonomic head rest is a real novelty because is the first one for moving chairs.

It can be adjusted in height and, above all, it is reclining thanks to a special mechanism which permits to regulate the head rest easily and fast. It grants the maximum comfort both for clients and professionals.

**HR COVER**

Protective bag for HR SYSTEM with comfortable shoulder strap



**KH**  
Towel holder in washable technical fabric. It can be hooked to the arm of the chair, to the HR headrest or to the belt.



**B03**  
Bag with brush holding pocket It can be worn to the belt or applied to the arm of the chair.



**B02A /B02.A.TR**  
Padded bag in technical fabric for S102.A and S102.A.2H models It allows to carry the chair with ease and protects it from scratches and bumps. With shoulder strap and handles.  
Also **available** with **trolley** (mod.B02A.TR)



**B02/B02.TR**  
Padded bag in technical fabric for model S102.N. It allows to carry the foldable chair with ease and protects it from scratches and bumps.  
With shoulder strap and handles.  
Also **available** with **trolley** (mod. B02.TR)

## LINE OF BAGS FOR MAKE-UP AND AESTHETICS

The range of **bags**, in **technical fabric**, for transportation and organization of make-up and accessories is designed for make-up artists, beauticians, podiatrists, hair-stylists and nail technicians. These are versatile, comfortable bags, practical to use and clean. **Thermal pocket** inside of all models in the range, keeps within the ideal temperature for storage of cosmetics during transport, even in summer and in winter.

The **technical fabric** is also suitable for intensive use and the seams of each beauty case are checked one by one.

It is possible to choose to **customize** the outside of the bags by Cantoni with a specific **logo** or name. **Hand made in Italy.**

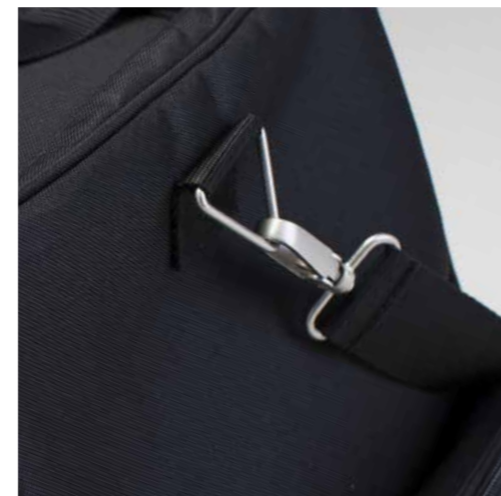
## MAKE-UP BAGS



*PADDED TECHNICAL FABRIC*



*EXAMPLE OF PRINTED LOGO*



*ADJUSTABLE AND DETACHABLE SHOULDER STRAP*



Embedded trolley with telescopic handle



Large side pocket with zipper



Large internal thermal space at the top



Supplied with hot/cold GEL case for preserving products



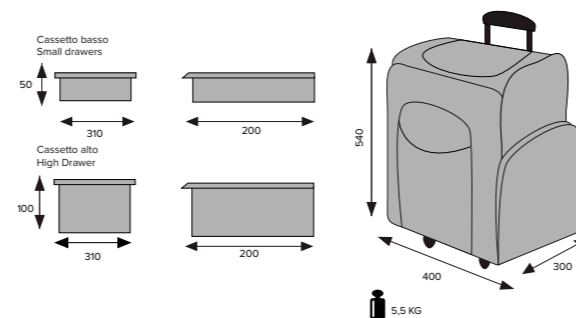
Rigid chest of drawers with ABS removable and washable drawers, all drawers are equipped with removable partitions. Configuration: 2 low drawers and 1 deep



**Thermal trolley bag.** Characterized by low weight and optimum capacity, it is ideal for carrying in a convenient, professional and organized way both massive equipment (hair dryer, straighteners ...), that are placed in the upper and side pockets, both cosmetic products, that can be placed and divided into rigid chest of drawers accessible on the side.

- ◆ **Outside pockets** with velcro closure
- ◆ **Upper compartment** closed with zipper
- ◆ **Telescopic handle** with lock button and trolley wheels
- ◆ **Reinforced handles** and removable shoulder strap
- ◆ **Rigid ABS** chest of drawers with 1 deep drawer (h. 10 cm) and 2 smallest ones (h. 5 cm)
- ◆ It can be **customized** with logo

**Technical Details**





Rigid chest of drawers with removable ABS drawers

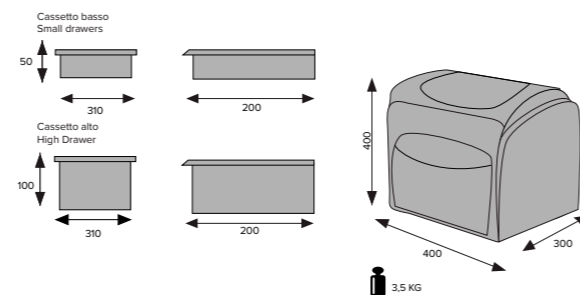
Large side pocket with zipper

Supplied with hot/cold GEL case for preserving products

**Thermal bag with shoulder strap.** Great combination of portability and capacity, it is designed for professionals who often move into town. Easy to carry and to clean, it comes with internal drawer unit with adjustable partitions.

- ◆ 2 outside **pockets**
- ◆ **Reinforced handles** and removable, adjustable shoulder strap
- ◆ **Rigid ABS** chest of drawers with 1 deep drawer (h. 10 cm) and 2 smallest ones (h. 5 cm)
- ◆ It can be **customized** with logo

**Technical Details**





*Padded technical fabric,  
zipper closures  
Adjustable shoulder strap,  
reinforced handles*



*Supplied with hot/cold GEL case  
for preserving products*



*Rear flap to insert on trolley handle  
all Cantoni make-up stations*



**BB2.T**  
Large interior space



**BB2.N**  
with 5 boxes

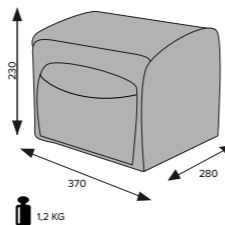


**THE BOXES**  
Clip locks and movable partitions  
(from 3 to 21 compartments)



In the collection of transportable bags, the BB2 model is the lightest. Convenient and versatile if used alone, it is also the perfect complement to both the movable make-up stations by Cantoni and the Highbox bag, because, thanks to the rear flap, it can be placed on the handle of the trolley. Very large, it allows to transport cosmetics and accessories in a convenient way, thermally protected and without overloading the mobile workstation.

**Technical Details**



- ◆ In **technical fabric**
- ◆ **Thermal** pocket
- ◆ **Fabric** reinforced handles
- ◆ **adjustable** shoulder strap
- ◆ It can be **customized** with logo

Version BB2.T: empty interior  
Version BB2.N: equipped with a set of 5 boxes, ideal for nail artists



## THE COLLECTIONS OF TABLETOP MIRRORS WITH LIGHTS

The Cantoni lighted make-up mirrors are a new interpretation of the classic vanity desk: artisanal workmanship and advanced lighting technology, innovative materials such as methacrylate, technical materials such as aluminium and traditional materials such as wood combine to create elegant, functional mirrors equipped with perfect lighting for make-up professionals. Thanks to their elegance and their efficacy, the Cantoni table mirrors are also perfect for furnishing professional make-up artist academies and beauty corner in any retail space. In addition, the transportable models, are the ideal solution for the on-the-go and backstage situations.

The makeup table mirrors with lights are available in LTV, MW and MDE Table's lines.

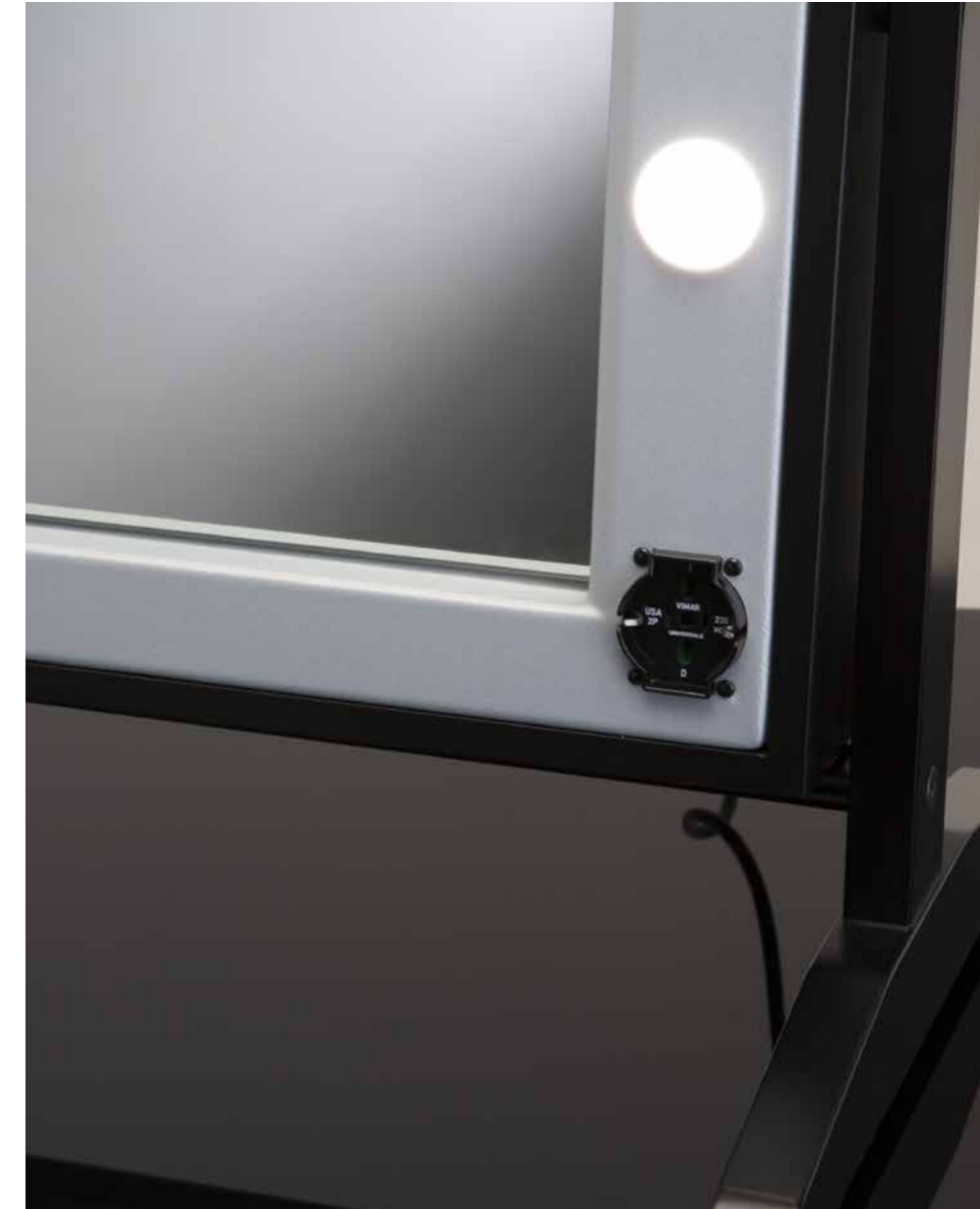


**CLASSIC**  
*Dried beech wood, textured paint, non-toxic coating*



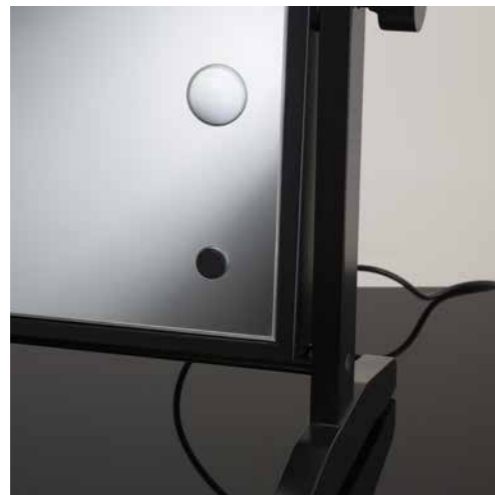
**MODERN**  
*Elegant polished methacrylate*

## TABLETOP MIRRORS

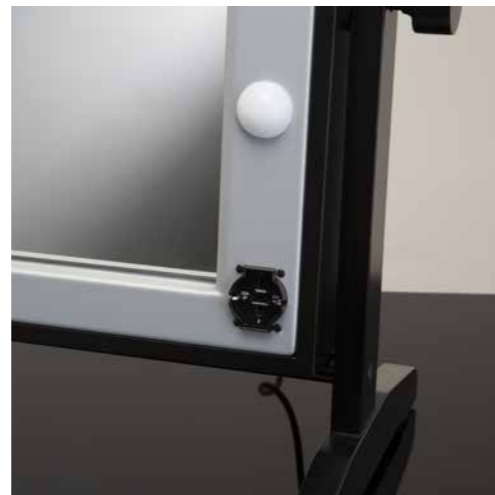




*Tilting mirror*



*MOD. FULL MIRROR:  
The 6 lighting lenses and the  
dimmer button to adjust the  
brightness are embedded into the  
mirror*



*MOD. with FRAME  
6 light lenses that are placed in  
the mirror frame and universal  
power socket*

Table-top lighted mirror with frame in fine lacquered beech wood. Classic line, selected materials, craftsmanship and **I-light** lights make it ideal to furnish high-level corner dedicated to make-up and beauty.

Also available in version with **double-sided** mirror front/back.

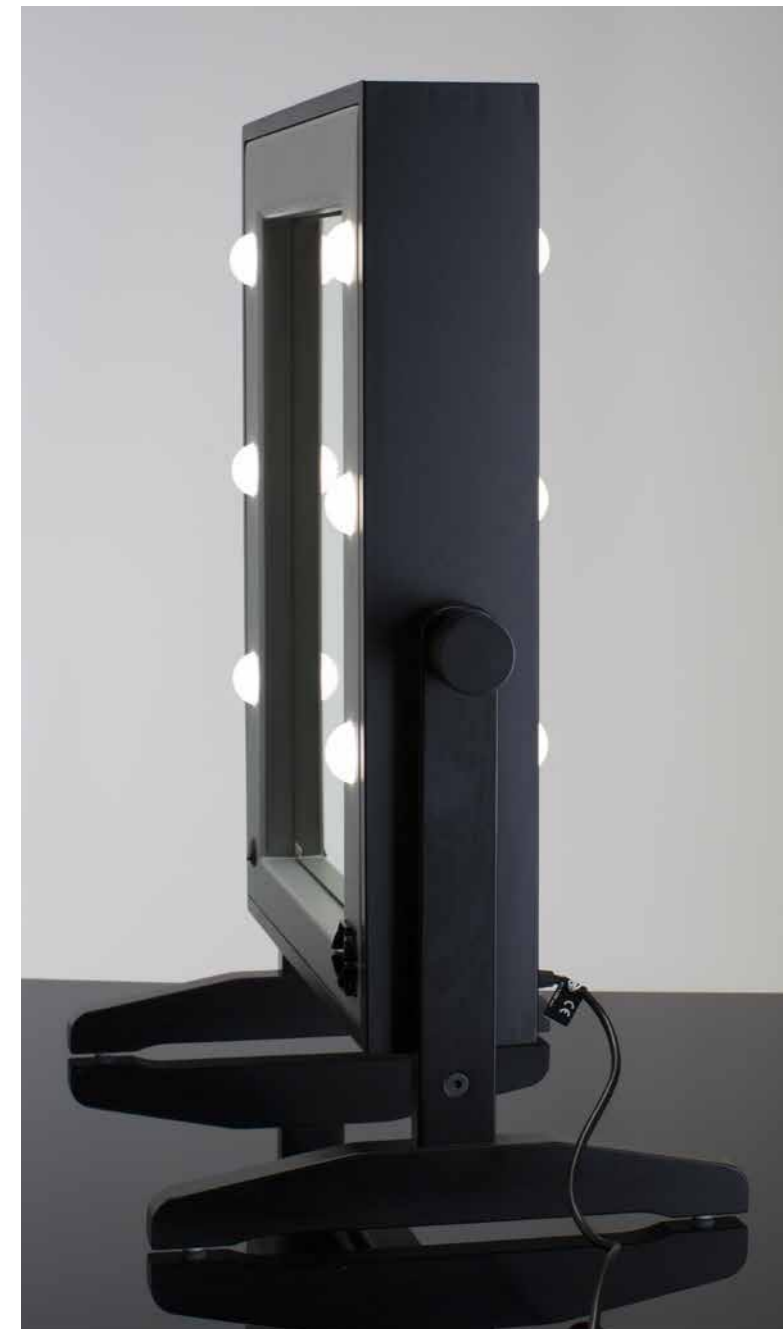
- ◆ Double support foot
- ◆ **Tilting**
- ◆ 6 I-light lights
- ◆ 110-240V power socket (only available in version with frame)



LTV



LTV FULL MIRROR

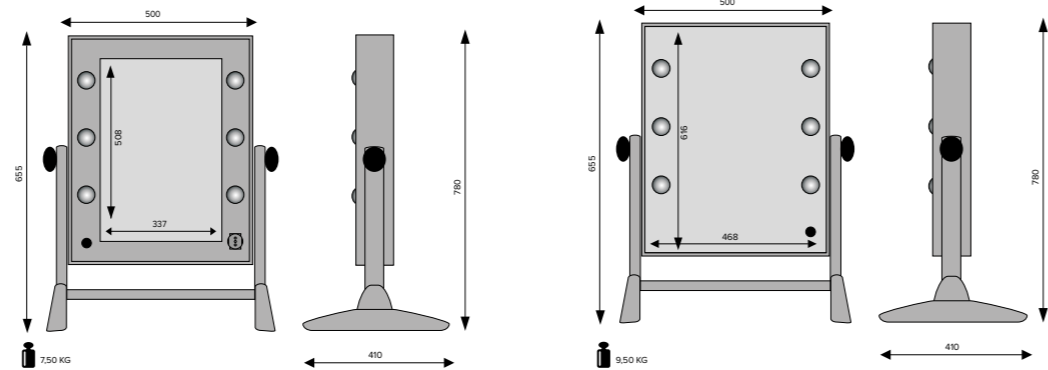


LTVX2

The framed model of this lighted makeup mirror is also available in a double-fronted version. Two-sided mirror, front/back

- ◆ Double support foot
- ◆ **Tilting**
- ◆ 6+6 I-light lights
- ◆ 110-240V power socket

**Technical Details**



The LTV illuminated mirrors are available with the lacquered finish in various colours (service available on request subject to minimum order quantities).





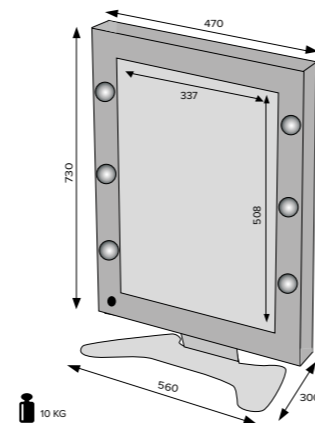
Sturdy base with rounded corners

I-light lighting professional system with 6 light spots adjustable in brightness

Lighted mirror in polished methacrylate with I-light system, 6 light spots, specifically designed for make-up and face skin care. Light with adjustable intensity. Compact in size, it is ideal for creating visual impact make-up corners.

- ◆ Power button/back light adjustment
- ◆ 6 I-light lamps adjustable in brightness
- ◆ 110V/240V compatible

Technical Details





6 *I-light* lights  
Universal power socket



"TOP and DROP" system



Padded protection cover in technical fabric

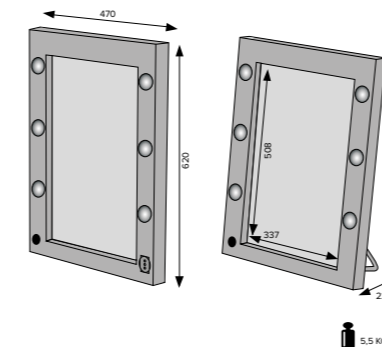


MW01.TSK is the new 6 light transportable multi-purpose mirror by Cantoni collection, designed for mobile use and to be set up in minute in both classrooms and seminar rooms, courses and backstage. Thanks to the special support and "TOP & DROP" system, it can be used either resting on a table top and wall-mounted. Light, it is transported with the padded suitable carrying bag equipped with handles and adjustable shoulder strap.

The embossed ABS structure makes it **durable** and **easy to handle**.

- ◆ **Frame** in embossed ABS
- ◆ **Universal** front power outlet
- ◆ **Aluminium back** for back-to-wall support
- ◆ **I-light 6** adjustable lights adjustable in brightness
- ◆ 110V-240V compatible
- ◆ Transportation and **protection bag**

**Technical Details**



## HOW DOES THE 'TOP &amp; DROP' WORKS?



1. SUPPORT MODE  
When the rear support is open the mirror can be used on a table top.



2. WALL-MOUNTED MODE  
When the rear support is closed and locked the mirror must be wall mounted.



MDE-TABLE is the new lighted tabletop vanity mirror of the Cantoni range. This mirror is a little masterpiece, with all the features that professional makeup artists, hairstylists and makeup lovers could ask for.

Clean design, wide mirror, low electrical consumption. The light Opal-tech lenses are set within the glass surface; the dimmable lights don't emit any heat and they have a natural shade.

The MDE504-TABLE tabletop mirror is foldable and transportable.

As all the products of the Cantoni range, this portable vanity mirror is handcrafted in Italy.



*I-light* lighting professional system with 6 light spots adjustable in brightness



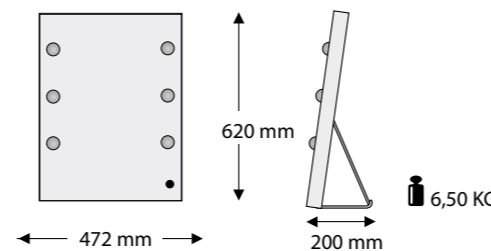
Satin aluminium profile, lighted lenses and actuator placed in the mirror



The MDE504-Table is the ideal solution for setting up makeup schools and makeup stations where it is a priority managing multi-purpose spaces. The MDE-Table 504 has both the correct size and the ideal light to be used during professional makeup sessions and the light weight and the ease of use of a movable piece of furnishing. Thanks to these unique characteristics, MDE504-TABLE is the perfect lighted tabletop mirror for who wants to set up a makeup station with a really efficient light in its own house too.

- ◆ Frame and back in **satin finished aluminium**
- ◆ Chrome-plated foldable **back support**
- ◆ *I-light* lighting system, dimmable intensity
- ◆ 16 Opaltech lenses
- ◆ **Customizable** surface with company logo or name
- ◆ **Handcrafted in Italy**
- ◆ 110V-240V compatible

**Technical Details**



Padded protection cover in technical fabric

MDE-TABLE is the new lighted tabletop vanity mirror of the Cantoni range. This mirror is a little masterpiece, with all the features that professional makeup artists, hairstylists and makeup lovers could ask for.

Clean design, wide mirror, low electrical consumption. The light Opal-tech lenses are set within the glass surface; the dimmable lights don't emit any heat and they have a natural shade.

The MDE504-TABLE tabletop mirror is foldable and transportable.

As all the products of the Cantoni range, this portable vanity mirror is handcrafted in Italy.



*I-light* lighting professional system with 6 light spots adjustable in brightness



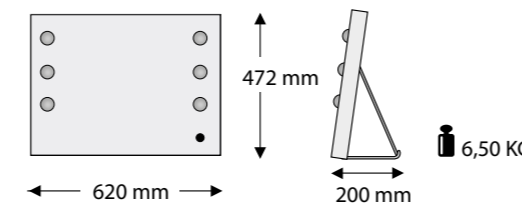
Satin aluminium profile, lighted lenses and actuator placed in the mirror



The MDE504-Table is the ideal solution for setting up makeup schools and makeup stations where it is a priority managing multi-purpose spaces. The MDE-Table 504 has both the correct size and the ideal light to be used during professional makeup sessions and the light weight and the ease of use of a movable piece of furnishing. Thanks to these unique characteristics, MDE504-TABLE is the perfect lighted tabletop mirror for who wants to set up a makeup station with a really efficient light in its own house too.

- ◆ Frame and back in **satin finished aluminium**
- ◆ Chrome-plated foldable **back support**
- ◆ *I-light* lighting system, dimmable intensity
- ◆ 16 Opaltech lenses
- ◆ **Customizable** surface with company logo or name
- ◆ **Handcrafted in Italy**
- ◆ 110V-240V compatible

**Technical Details**



Padded protection cover in technical fabric



## A COLLECTION OF MIRRORS FEATURING THE CLASSICAL HOLLYWOOD LIGHTING FOR THE CANTONI BRAND'S 20TH BIRTHDAY

The first Cantoni makeup stations were born 20 years ago. To remember the first luminous mirrors engineered explicitly for the makeup artists by the brand's founders, Cantoni proposes the Vintage capsule collection, populated by mirrors with the very classical Hollywood style bulbs lighting and featuring the black colour, traditionally associated to the professional make-up sector.

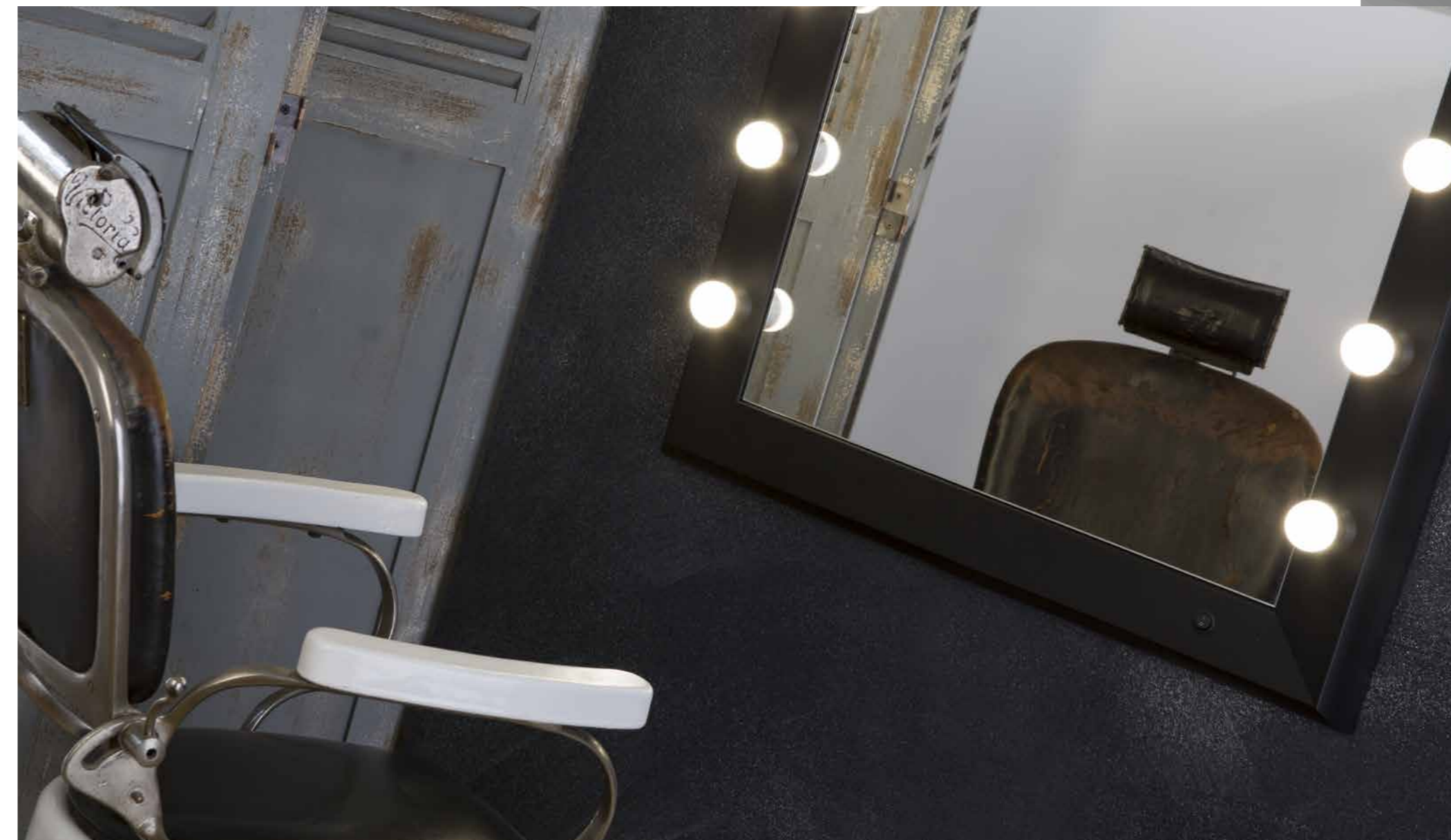
The sturdy and undeformable frame of these mirrors is in black painted aluminium. The frame is bevelled at 5° toward the inside, to optimise the diffusion of the light on the reflected image.

The unmatched Cantoni quality and the ease of assembly and maintenance of these Vintage Hollywood lit mirrors make them perfect to furnish makeup schools and beauty/ hair-style salons.

## VINTAGE CAPSULE COLLECTION



ITALIAN PRODUCTION  
Advanced machines and **robotic procedures**, to ensure **maximum accuracy**





Structure in painted black aluminium



Black On-off button in the frame

Wall mirror with 9 or 12 classical lighting bulbs in the frame. The mirror frame in painted black aluminium is bevelled at an angle of 5° to provide the ideal incidence of light on the mirrored figure. The bulbs are not included in the base price and can be added choosing the specific option.

- ◆ **Structure** in painted black aluminium
- ◆ **Mirror** thickness 4 mm
- ◆ On-off button in the frame
- ◆ **9 or 12** light
- ◆ 3 standard dimensions
- ◆ Pre-installed rear coupling system
- ◆ Safety film
- ◆ Made in Italy



SPV9



SPV12.V



SPV12.O



Power cable 2mt length with 2P+T 16A 250V~ included



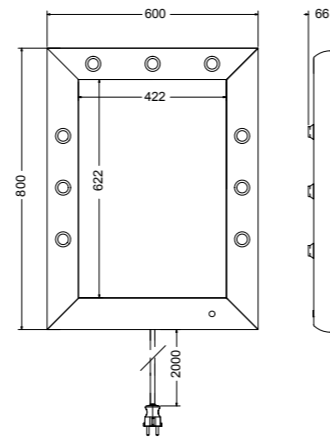
Bulbs (optional): globe led bulbs MAX 3.5W ( 25W traditional light bulbs equivalent), Lumen 4000k

The mirrors of the SPV line are simple to install and do not require a wall switch.

SPV9 - mm 600X800X66

- ◆ 9 light points with lamp-holder E14 on three sides
- ◆ On-off button in the frame
- ◆ Sturdy frame in black painted aluminium
- ◆ Power cable 2mt length with 2P+T 16A 250V~

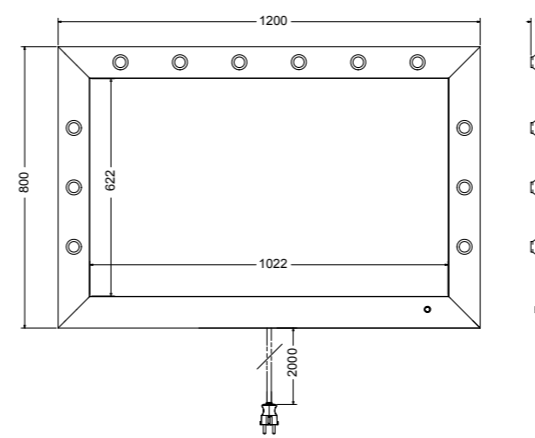
**Technical Details SPV9**



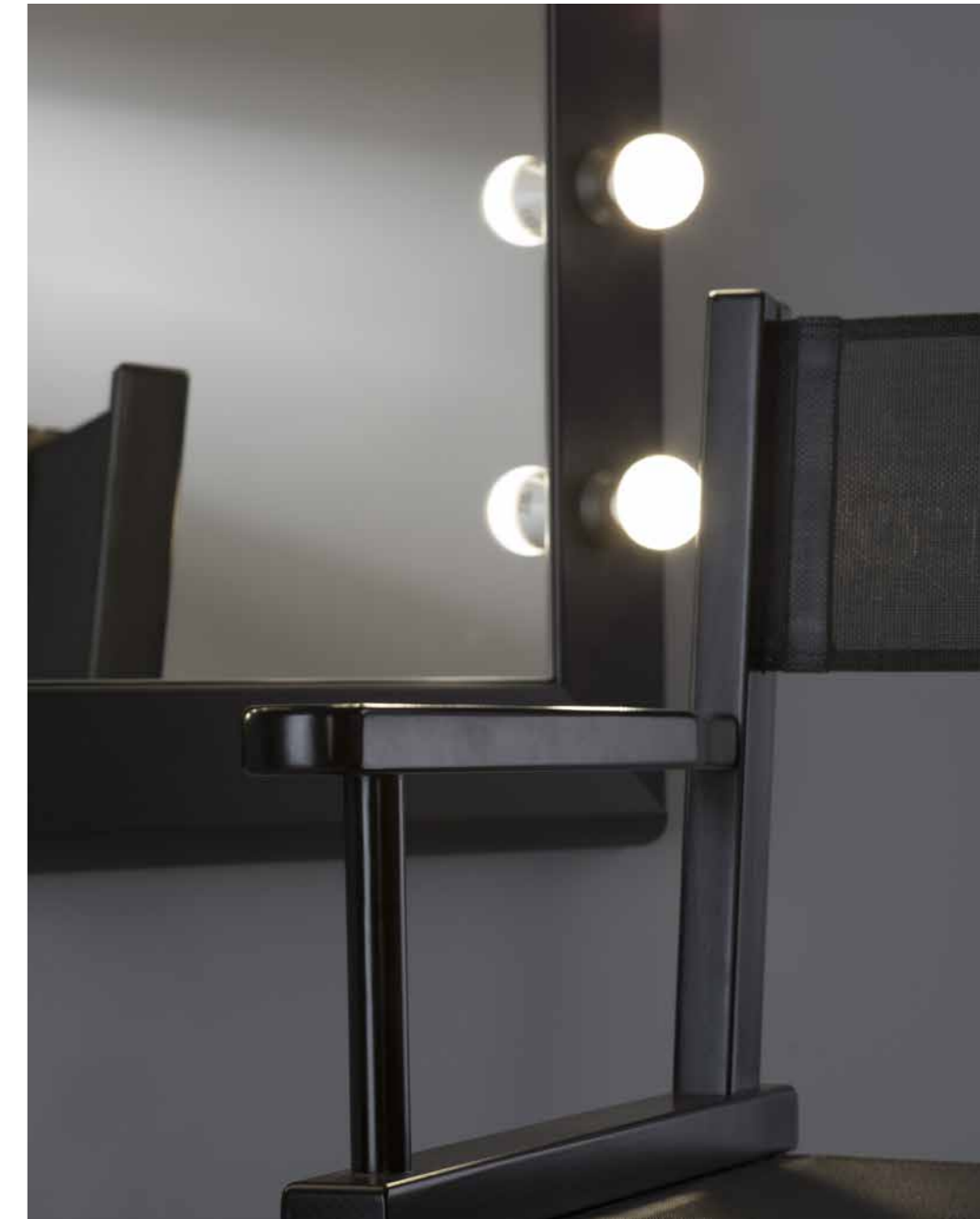
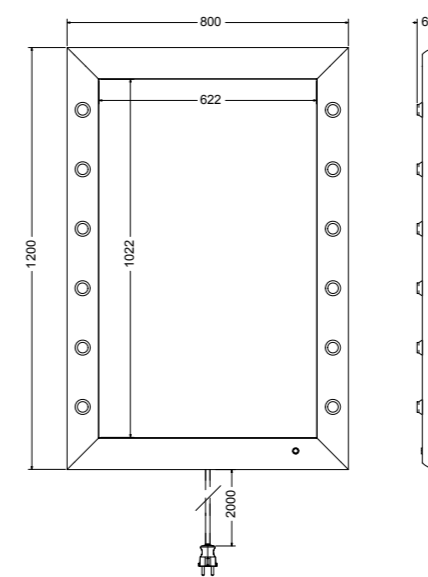
SPV12.V - mm 800X1200X66  
 SPV12.O - mm 1200X800X66

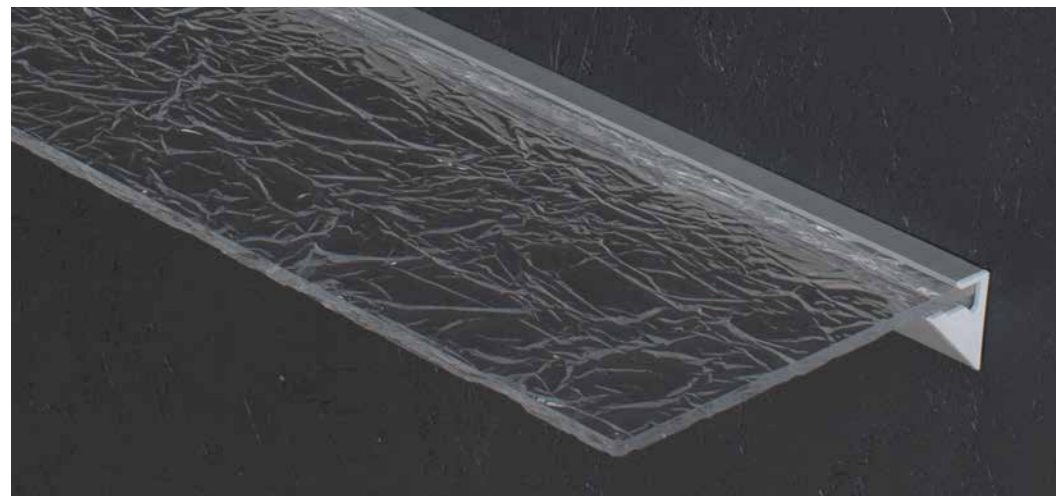
- ◆ 12 light points with lamp-holder E14 on three sides
- ◆ On-off button in the frame
- ◆ Sturdy frame in black painted aluminium
- ◆ Power cable 2mt length with 2P+T 16A 250V~

**Technical Details SPV12.O**

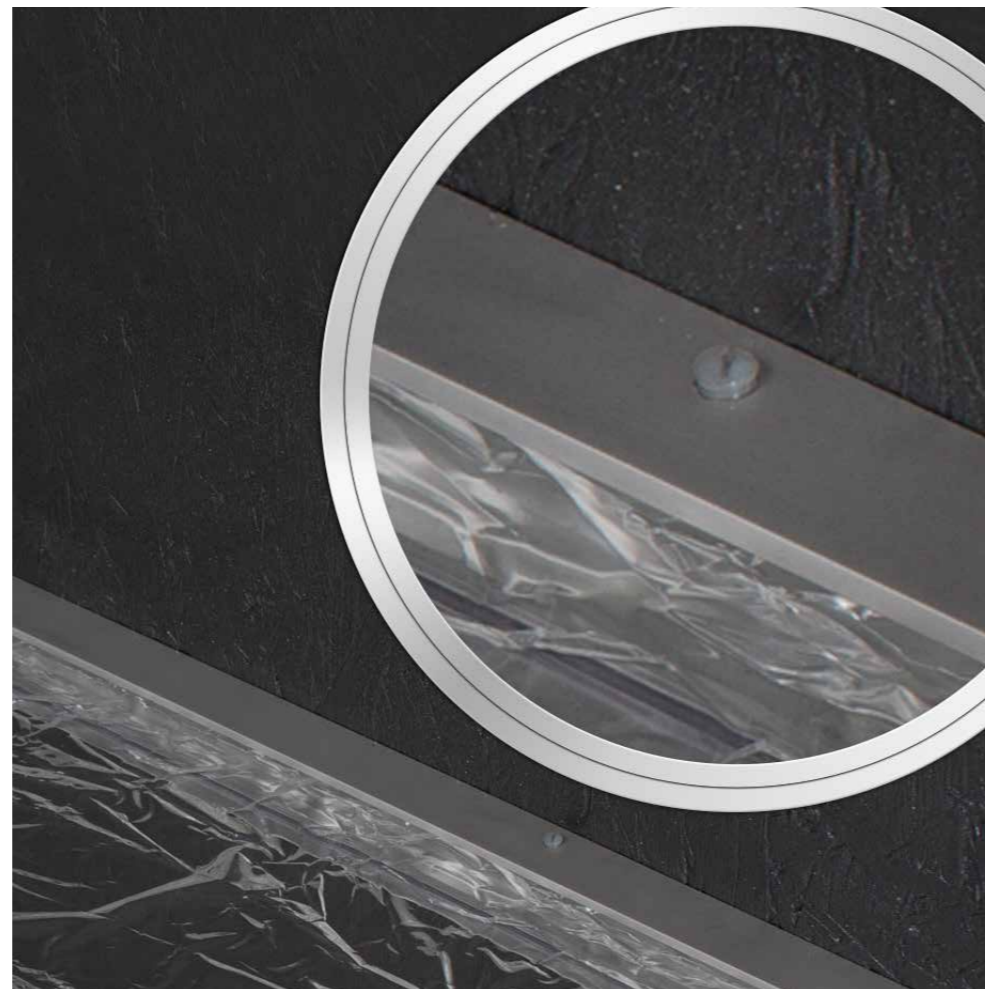


**Technical Details SPV12.V**





Ice effect methacrylate with anodized aluminium profile.

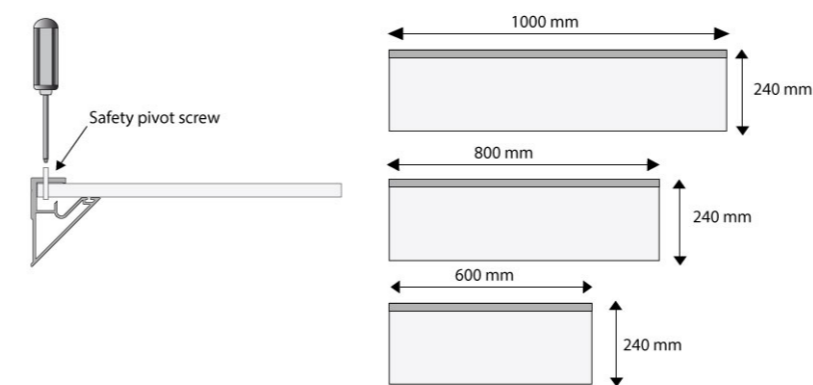


Easy and safe mounting

Methacrylate or tempered glass shelves available in 3 sizes, ice or transparent effect. Ideal complement for **MDE** mirrors.

- ◆ Anodized aluminium **profile**
- ◆ asy and safe **mounting**
- ◆ 100% made in Italy

#### Technical Details



## BACKLIT FRAMES

The 'Visual' line was conceived with the aim of making display advertising, in stores and exhibition spaces, more practical and attractive.

The "Visual" range consists of backlit frames, entirely made in Italy, equipped with the innovative image insertion **spring system**.

LED back lighting, with **minimum power consumption**, gives unparalleled contrast to the **colours of the image**.

Inserting and replacing the photos into the frame is done through a simple **hand pressure**.

The anodized aluminium profile is designed in detail. No external transformer is required, unlike traditional neon/LED lighted panels: all technology of the system is contained in only **4.5 cm thick**.

The sturdy profile allows to create, even customized, special large frames, with the guarantee of a total non-deformability.

The backlit panel by Cantoni, due to its **lightness and ease** of installation, is very close to a **painting**.



*SOLID ANODISED  
ALUMINIUM FRAME*



*IMAGES IN BACKLIT FRAMES ARE INTERCHANGEABLE WITH  
A SIMPLE SPRING SYSTEM*



## VISUAL LINE





Button lighting the luminous frame

LED backlit frame with spring image interchange system, an exclusive by Cantoni. Integrated transformer and power button on the side. Lightweight, anodized aluminium profile of only 4.5 cm, instant set-up.

**High quality and technology ensure durability and reliability.**

PH is available in two different models:

- For wall mounting
- Stand alone with support bar

The electrical output cable of the light panel is not equipped with the plug: it needs to be connected to the electrical wiring of the room.



(Standard) dimension: 735mm x 1035mm x 45mm  
Standard frame: anodised silver or black aluminium  
Back: aluminium and LDP

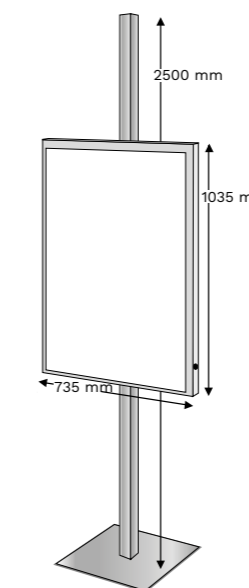
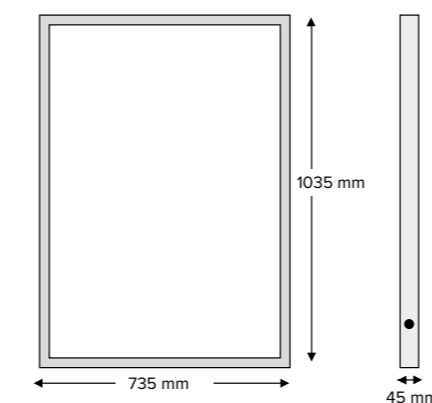
Additional services: high quality printing service on translucent film.

Possible customizations:

- Size
- Image

In the stand-alone version, the PH frame support bar and foot and the back of the frame is designed for easy mounting. The support can be completed with shelves, than can be hanged both on the front and at the back.

#### Technical Details





Support for installation on shelf



Power cable

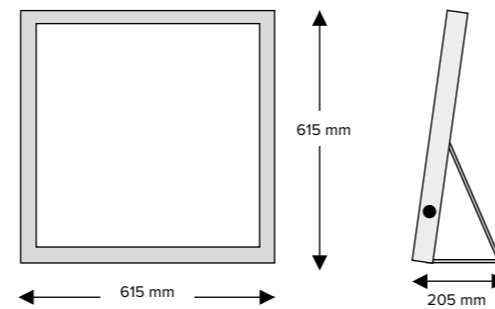


The luminous frames are a tool to create atmosphere and reduce the use of other light sources (and therefore also the consumption) during night time, in shops, windows and professional environments.

PH Table is a LED backlit luminous frame with back support and image spring interchange system, adjustable on benches, display and in temporary installations as advertising tool convenient and practical.

Integrated transformer and power button on the side.  
Lightweight, anodized aluminium profile of only 4.5 cm, instant set-up.  
**High quality and technology ensure durability and reliability.**

Technical Details



(Standard) dimension: 815mm x 815mm x 45mm  
Standard frame: anodised silver or black aluminium  
Back: aluminium and LDP

Possible customizations:

- Size
- Image

Additional services: high quality printing service on translucent film.

## ACCESSORIES FOR PRODUCTS BY CANTONI

Bags and trolleys for transportation, containers, accessories complementing mobile make-up stations.

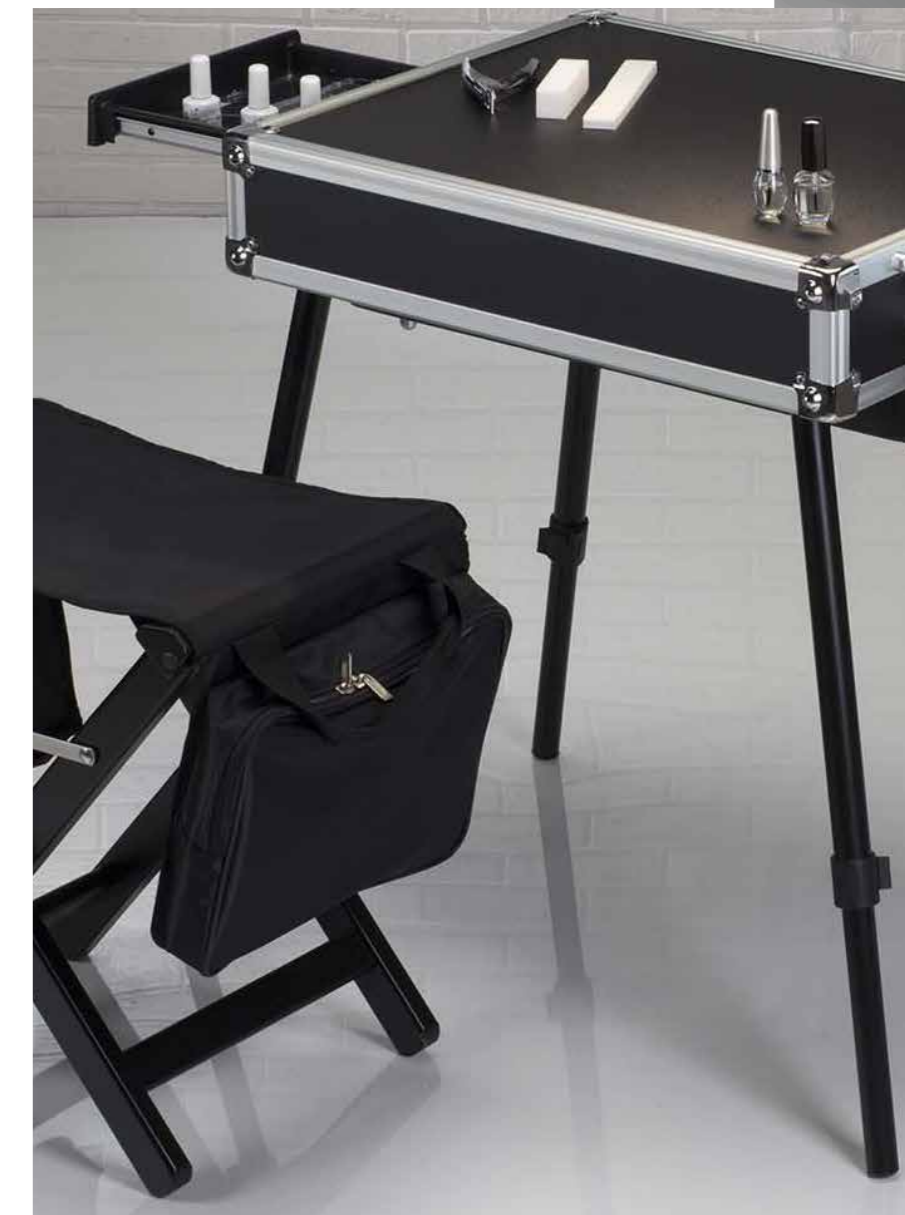
Products by Cantoni become even more functional thanks to the accessories designed to complement and protect them.

The range of accessories include:

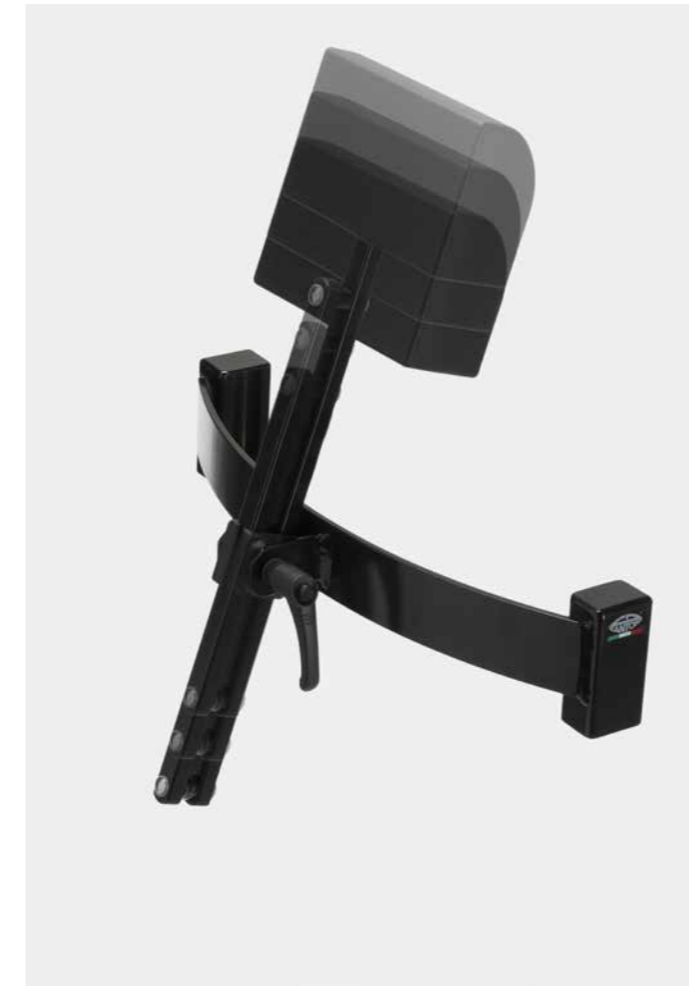
- protective covers for make-up cases
- system of wheels and side-locked stand for make-up cases
- bags and trolleys to transport make-up chairs
- adjustable headrest for different models of make-up chairs
- lighting stands
- stools
- belt bags and belts for beauty artist



## ACCESSORIES







**HR SYSTEM  
HEADREST FOR CHAIR**

The HR System headrest is patented and exclusive by Cantoni.

Ideal for long make-up sessions, it allows the customer to feel comfortable and to the make-up artist to have the face in an optimal position for make up. Adjustable in height and tilt. **Available for all models of make-up chairs by Cantoni.** Black painted aluminium structure.

**HR SYSTEM: HOW TO USE IT**

This accessory can be applied to the chair when required.

This ergonomic head rest is a real novelty because is the first one for moving chairs.

It can be adjusted in height and, above all, it is reclining thanks to a special mechanism which permits to regulate the head rest easily and fast. It grants the maximum comfort both for clients and professionals.

**HR COVER**

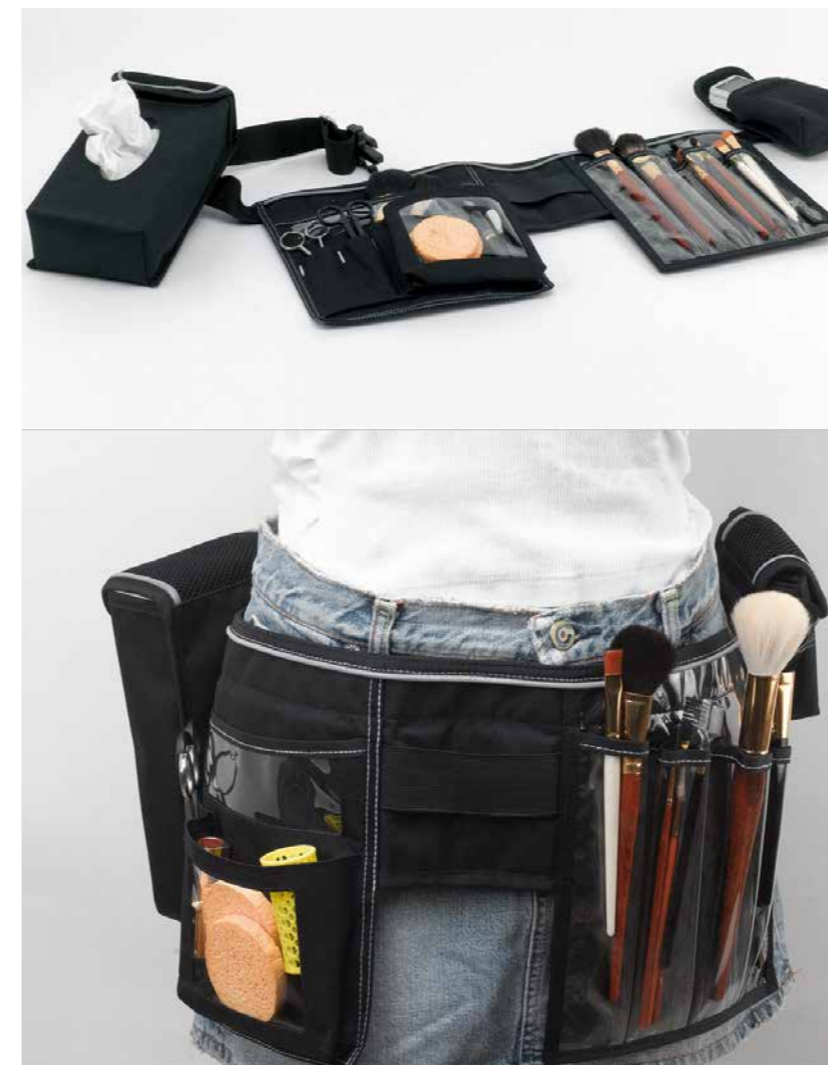
Protective bag for HR SYSTEM with comfortable shoulder strap



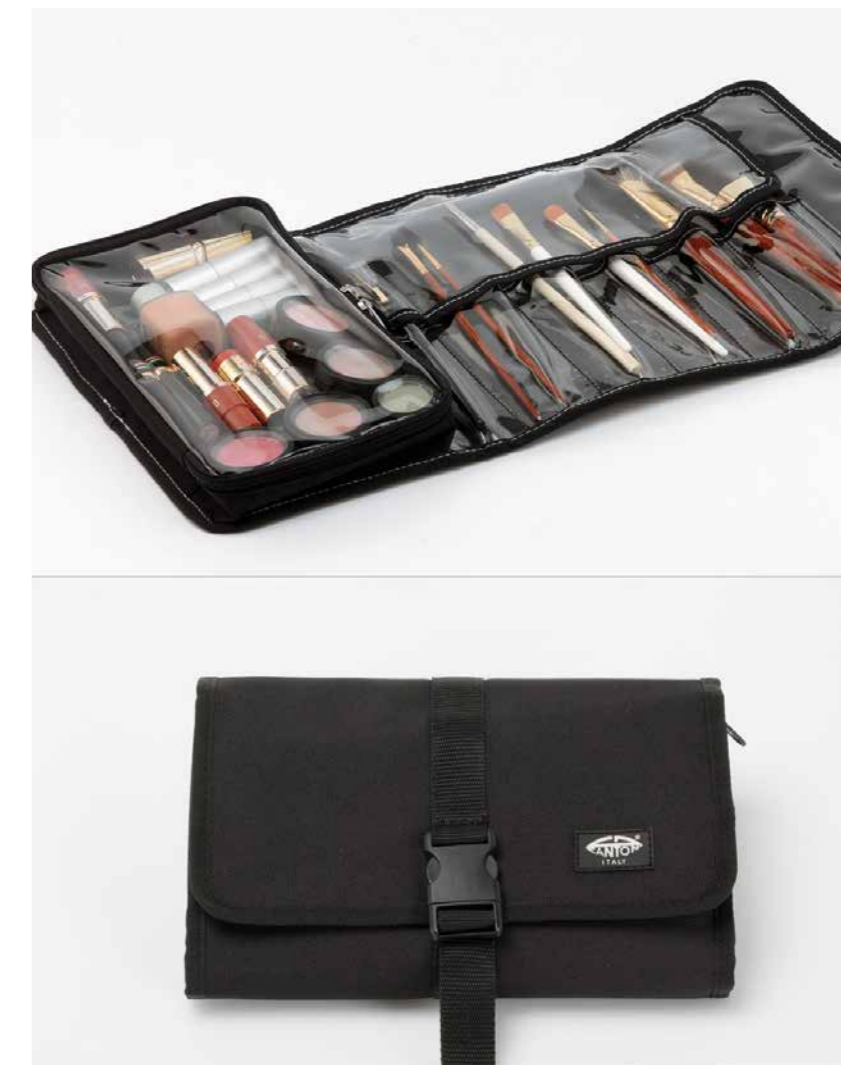
**KH**  
Towel holder in washable technical fabric. It can be hooked to the arm of the chair, to the HR headrest or to the belt.



**B03**  
Bag with brush holding pocket It can be worn to the belt or applied to the arm of the chair.



**ST114**  
Adjustable fabric belt with pockets and brush and accessories holder



**ST113**  
Brush holding clutch bag in washable and waterproof black fabric. With transparent internal pocket. Clip closure



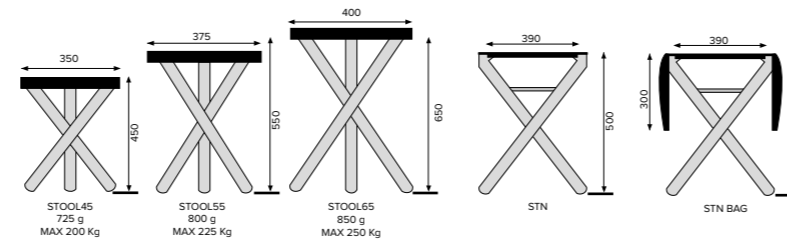
### STOOL

High-tech aluminium stool with folding telescopic legs.

Tear-proof and perforated anti-sweating seat. Rubber feet equipped with anti-dive large edging.

The materials used make it lightweight and unbreakable. available in 45 cm, 55 cm, 65 cm in height, it ensures total comfort to whoever sits.

#### Technical Details



### STN

Black lacquered beech foldable stool. Seat in washable technical fabric.

Italian artisan production.

ST.N BAG: version with large side pockets, zip closure

ST.N: standard version

It is recommended to use with nails case

<u>Pag. 6</u>	I-LIGHT Lighting System
<u>Pag. 10</u>	Make-up case
<u>Pag. 12</u>	New Evo
<u>Pag. 18</u>	VT and VP Lines
<u>Pag. 38</u>	L200 and L400 Lines
<u>Pag. 50</u>	Fixed Make-up Stations
<u>Pag. 58</u>	Make-up Chairs
<u>Pag. 72</u>	Make-up Bags
<u>Pag. 80</u>	Tabletop Mirrors
<u>Pag. 96</u>	Vintage Capsule Collection
<u>Pag. 104</u>	Visual Line
<u>Pag. 110</u>	Accessories

All products by Cantoni are made in Italy with carefully selected materials.  
Each product is the result of a careful study to ensure the best balance between aesthetics and technology.  
The authenticity of each piece by Cantoni is ensured by our trademark.

We are always available to respond to every request and question about products.  
Our technical department is then available for custom projects

PLEASE NOTE:  
Cantoni reserves the right to modify at any time the items in the catalogue for technical or commercial purposes.  
Shipments are made from our offices in San Marino



#### CANTONI TRADING SRL

##### ***Headquarters***

Via Guardia di Rocca 10 - 47899 Galazzano - Rep. San Marino

##### ***Registered Office e Showroom***

Strada degli Angariari 25 - 47891 Rovereta - Rep. San Marino

Tel. (+378) 0549 977527 - Fax (+378) 0549 876501

sales@cantonionline.com  
[www.cantonionline.com](http://www.cantonionline.com)



MADE IN ITALY